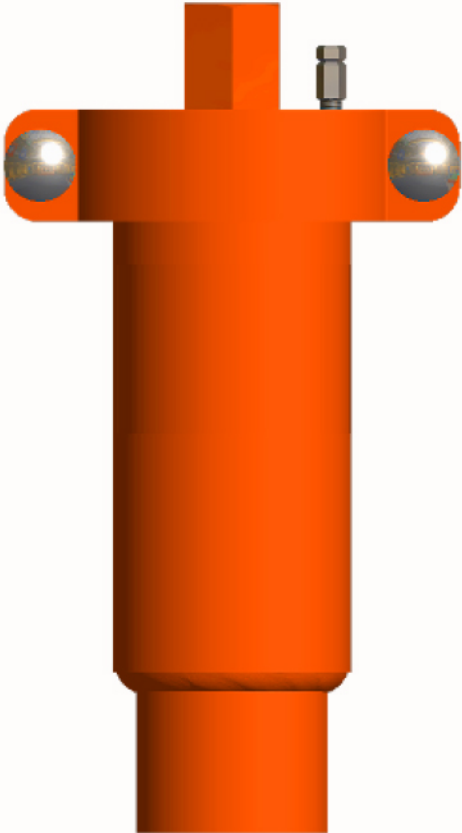


SFV MINI



“MINI” GROOVED 4” TOP MODELS - 50 CUBIC INCH



MINI 50

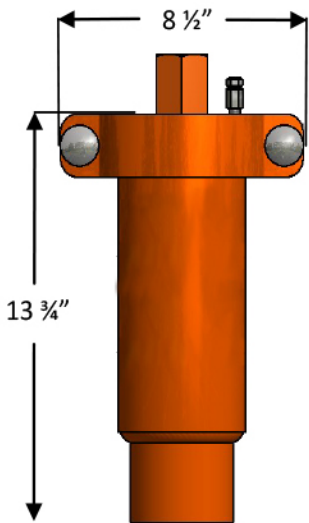
STATUS FLOW

SFV-MODEL

MINI 50™

50 CUBIC INCH

GAS CAPACITY



SFV-1500 SERIES

MODEL	HEIGHT A (inches)	HEIGHT B (inches)	WEIGHT	MAWP (psi)	MOUNTING CONNECTION	CARTRIDGE	MAX CHARGE (nitrogen)
SFV-1502-TC-50	16	14	37	150	2"-FNPT	SFV-92	100 (psi gas)

SFV-4500 SERIES

MODEL	HEIGHT A (inches)	HEIGHT B (inches)	WEIGHT	MAWP (psi)	MOUNTING CONNECTION	CARTRIDGE	MAX CHARGE (nitrogen)
SFV-4502-TC-50	16	14	37	450	2"-FNPT	SFV-96	300 (psi gas)

other connection options available upon request

★ Dimensions and weights are for reference only. Manufacturer tolerances may cause dimensions to vary slightly. Engineered drawings can be provided upon request.