



**UNION TOP MODELS - 100 CUBIC INCH**

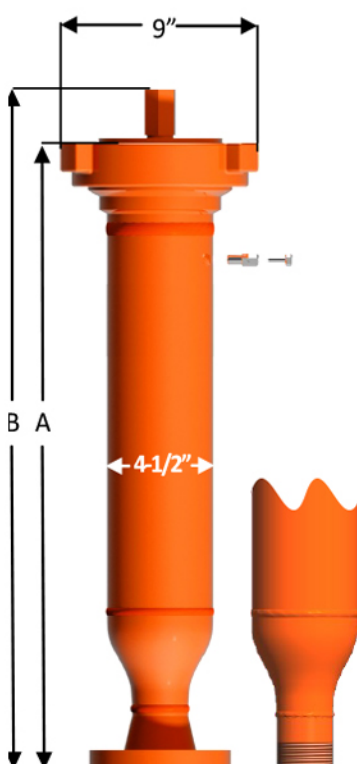


**SFU-MODELS**

## SFU-1500 SERIES

MODEL	HEIGHT A	HEIGHT B	WEIGHT	MAWP (psi)	MOUNTING CONNECTION	CARTRIDGE	MAX CHARGE (nitrogen)
SFU-1501-F-100	26	28	60	150	1"-150 RF ANSI	SFU-182	100
SFU-1501.5-F-100	26	28	61	150	1.5"-150 RF ANSI	SFU-182	100
SFU-1502-F-100	26	28	63	150	2"-150 RF ANSI	SFU-182	100
SFU-1502.5-F-100	26	28	67	150	2.5"-150 RF ANSI	SFU-182	100
SFU-1503-F-100	26	28	69	150	3"-150 RF ANSI	SFU-182	100
SFU-1501-T-100	25	27	58	150	1" XH NPT	SFU-182	100
SFU-1501.5-T-100	25	27	58	150	1.5" XH NPT	SFU-182	100
SFU-1502-T-100	26	28	58	150	2" XH NPT	SFU-182	100
SFU-1502.5-T-100	26	28	58	150	2.5" XH NPT	SFU-182	100
SFU-1503-T-100	26	28	59	150	3" XH NPT	SFU-182	100

STATUS FLOW  
SFU-MODEL  
100 CUBIC INCH  
GAS CAPACITY



## SFU-4500 SERIES

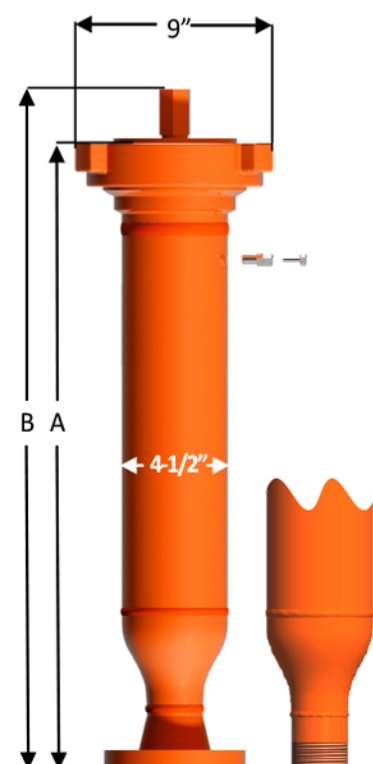
MODEL	HEIGHT A	HEIGHT B	WEIGHT	MAWP (psi)	MOUNTING CONNECTION	CARTRIDGE	MAX CHARGE (nitrogen)
SFU-4501-F-100	26	28	61	450	1"-300 RF ANSI	SFU-186	500
SFU-4501.5-F-100	26	28	64	450	1.5"-300 RF ANSI	SFU-186	500
SFU-4502-F-100	26	28	65	450	2"-300 RF ANSI	SFU-186	500
SFU-4502.5-F-100	27	29	69	450	2.5"-300 RF ANSI	SFU-186	500
SFU-4503-F-100	27	29	73	450	3"-300 RF ANSI	SFU-186	500
SFU-4501-T-100	25	27	58	450	1" XH NPT	SFU-186	500
SFU-4501.5-T-100	25	27	58	450	1.5" XH NPT	SFU-186	500
SFU-4502-T-100	26	28	58	450	2" XH NPT	SFU-186	500
SFU-4502.5-T-100	26	28	58	450	2.5" XH NPT	SFU-186	500
SFU-4503-T-100	26	28	59	450	3" XH NPT	SFU-186	500

★ Dimensions and weights are for reference only. Manufacturer tolerances may cause dimensions to vary slightly. Engineered drawings can be provided upon request.

## SFU-7000 SERIES

MODEL	HEIGHT A	HEIGHT B	WEIGHT	MAWP (psi)	MOUNTING CONNECTION	CARTRIDGE	MAX CHARGE (nitrogen)
SFU-7001-F-100	26	28	61	700	1"-300 RF ANSI	SFU-186	500
SFU-7001.5-F-100	26	28	64	700	1.5"-300 RF ANSI	SFU-186	500
SFU-7002-F-100	26	28	65	700	2"-300 RF ANSI	SFU-186	500
SFU-7002.5-F-100	27	29	69	700	2.5"-300 RF ANSI	SFU-186	500
SFU-7003-F-100	27	29	73	700	3"-300 RF ANSI	SFU-186	500
SFU-7001-T-100	25	27	58	700	1" XH NPT	SFU-186	500
SFU-7001.5-T-100	25	27	58	700	1.5" XH NPT	SFU-186	500
SFU-7002-T-100	26	28	58	700	2" XH NPT	SFU-186	500
SFU-7002.5-T-100	26	28	58	700	2.5" XH NPT	SFU-186	500
SFU-7003-T-100	26	28	59	700	3" XH NPT	SFU-186	500

STATUS FLOW  
SFU-MODEL  
100 CUBIC INCH  
GAS CAPACITY



## SFU-14400 SERIES

MODEL	HEIGHT A	HEIGHT B	WEIGHT	MAWP (psi)	MOUNTING CONNECTION	CARTRIDGE	MAX CHARGE (nitrogen)
SFU-14401-F-100	26	28	61	1440	1"-600 RF ANSI	SFU-186	500
SFU-14401.5-F-100	27	29	65	1440	1.5"-600 RF ANSI	SFU-186	500
SFU-14402-F-100	27	29	67	1440	2"-600 RF ANSI	SFU-186	500
SFU-14402.5-F-100	27	29	71	1440	2.5"-600 RF ANSI	SFU-186	500
SFU-14403-F-100	27	29	75	1440	3"-600 RF ANSI	SFU-186	500
SFU-14401-T-100	25	27	58	1440	1" XH NPT	SFU-186	500
SFU-14401.5-T-100	25	27	58	1440	1.5" XH NPT	SFU-186	500
SFU-14402-T-100	26	28	58	1440	2" XH NPT	SFU-186	500
SFU-14402.5-T-100	26	28	58	1440	2.5" XH NPT	SFU-186	500
SFU-14403-T-100	26	28	59	1440	3" XH NPT	SFU-186	500

★ Dimensions and weights are for reference only. Manufacturer tolerances may cause dimensions to vary slightly. Engineered drawings can be provided upon request.

## SFU-21000 SERIES

MODEL	HEIGHT A	HEIGHT B	WEIGHT	MAWP (psi)	MOUNTING CONNECTION	CARTRIDGE	MAX CHARGE (nitrogen)
SFU-21001-F-100	27	29	68	2100	1"-900 RF ANSI	SFU-186	500
SFU-21001.5-F-100	27	29	72	2100	1.5"-900 RF ANSI	SFU-186	500
SFU-21002-F-100	28	30	74	2100	2"-900 RF ANSI	SFU-186	500
SFU-21002.5-F-100	28	30	78	2100	2.5"-900 RF ANSI	SFU-186	500
SFU-21003-F-100	28	30	82	2100	3"-900 RF ANSI	SFU-186	500
SFU-21001-T-100	25	27	65	2100	1" XH NPT	SFU-186	500
SFU-21001.5-T-100	25	27	65	2100	1.5" XH NPT	SFU-186	500
SFU-21002-T-100	26	28	66	2100	2" XH NPT	SFU-186	500
SFU-21002.5-T-100	26	28	66	2100	2.5" XH NPT	SFU-186	500
SFU-21003-T-100	26	28	67	2100	3" XH NPT	SFU-186	500

## SFU-30000 SERIES

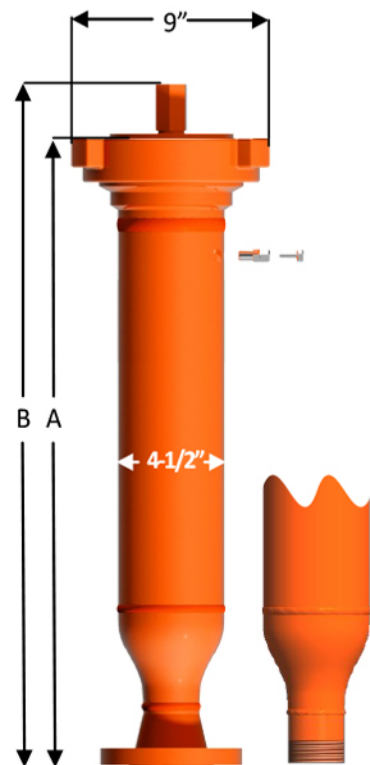
MODEL	HEIGHT A	HEIGHT B	WEIGHT	MAWP (psi)	MOUNTING CONNECTION	CARTRIDGE	MAX CHARGE (nitrogen)
SFU-30001-F-100	27	29	86	3000	1"-1500 RF	SFU-186	500
SFU-30001.5-F-100	27	29	91	3000	1.5"-1500 RF	SFU-186	500
SFU-30002-F-100	28	30	101	3000	2"-1500 RF	SFU-186	500
SFU-30002.5-F-100	28	30	113	3000	2.5"-1500 RF	SFU-186	500
SFU-30003-F-100	29	31	125	3000	3"-1500 RF	SFU-186	500
SFU-30004-F-100	TBD	TBD	TBD	3000	4"-1500 RF	SFU-186	500
SFU-30001-T-100	25	27	78	3000	1" NPT	SFU-186	500
SFU-30001.5-T-100	25	27	78	3000	1.5" NPT	SFU-186	500
SFU-30002-T-100	26	28	79	3000	2" NPT	SFU-186	500
SFU-30002.5-T-100	26	28	79	3000	2.5" NPT	SFU-186	500
SFU-30003-T-100	26	28	80	3000	3" NPT	SFU-186	500
SFU-30004-T-100	TBD	TBD	TBD	3000	4" NPT	SFU-186	500

STATUS FLOW

SFU-MODEL

100 CUBIC INCH

GAS CAPACITY



★ Dimensions and weights are for reference only. Manufacturer tolerances may cause dimensions to vary slightly. Engineered drawings can be provided upon request.