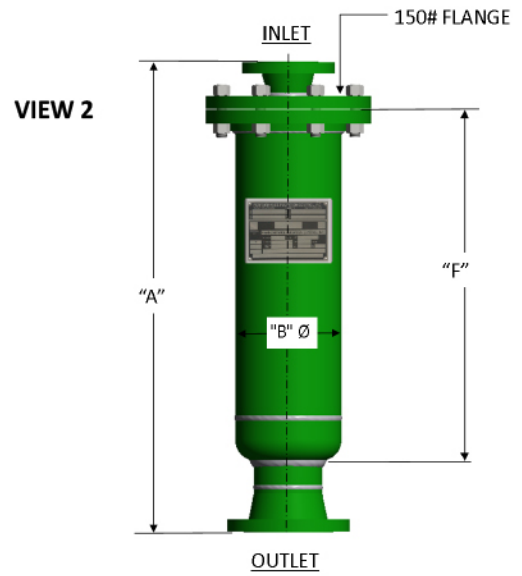
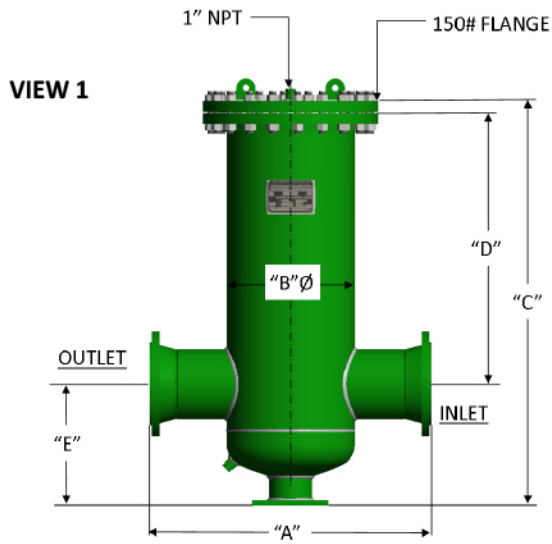




FEATURES & BENEFITS

- ❖ No Regular Maintenance
- ❖ No Gas Charging Required
- ❖ Protects & Improves Life of Charge Pumps
- ❖ Improves Pump Volumetric Efficiency
- ❖ Reduces Pump Suction Pulsations
- ❖ Virtually Eliminates Acceleration Pressure Losses
- ❖ Nozzle Size & Orientation May Vary to Suit Installation Requirements
- ❖ Split Shell Design
- ❖ 8", 10", or 12" 150# RFWN Flange
- ❖ Nozzles Available at 90°
- ❖ Inlet Can be Through Top for 6" & 8" Sizes
- ❖ Smaller Sizes Available for Pumps With Stroke Lengths of 9" & Under
- ❖ Available in Sizes Under 10" & 10" and Over
- ❖ ASME Code Stamp is Standard - Also Available are A.B.S & D.N.V. Certifications





MODEL	VIEW	A (INCHES)	B (INCHES)	C (INCHES)	D (INCHES)	E (INCHES)	F (INCHES)
SC-40	1	33	20	61	40	19	N/A
SC-40	2	48	20	N/A	N/A	N/A	33
SC-80	1	33	20	92	71	19	N/A
SC-80	2	79	20	N/A	N/A	N/A	64

These dimensions are typical and can vary to accommodate installation requirements

