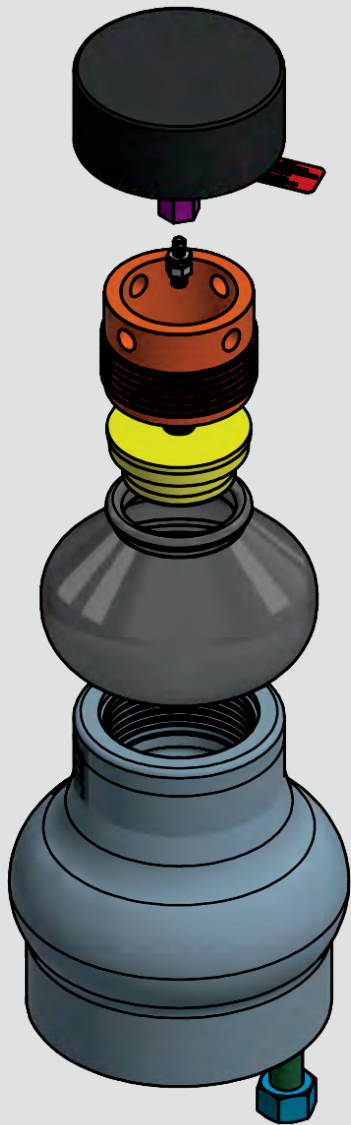


INTRODUCING THE MINI PD™ SERIES

PATENT PENDING



TOP REPAIRABLE HIGH PERFORMANCE GAS CHARGED DAMPENER

for Oil Field, Industrial, and Slurry Service.

PPC Dampeners are utilized worldwide in a variety of applications to reduce damaging effects from fluid flow induced pulsations.

FEATURES:

- In-Situ "Top Repairable"
- Design Interchange with Industry-Recognized Brands
- 1.0 & 2.5 Gallons
- Ratings to 3,705 psi
- Max 3,000 psi Pre-Charge
- CS, 316SS, Duplex 2205 and 2507 Wetted Components
- NBR, HSN/HNBR & EPDM diaphragms
- Long Service Life - Robust Oil Field-Proven Design
- ASME Section VIII Div. 1 U-Stamped Standard
- CRN, AS1200, NR13, etc. Available

BENEFITS:

- Easy Field Maintenance
- New Supply Source
- Great Range
- Best in Class Dampener Performance
- Alloy Choices Serving All Application Needs
- Elastomer Choices Serving All Application Needs
- ASME & Third-Party Verified Quality Products.

APPLICATIONS:

- Positive Displacement Pump Suction Stabilizers & Discharge Dampeners
- Energy Storage & Thermal Expansion
- Pipeline Surge
- Leakage Compensators (forced lube systems)
- Chemical Refineries and Processing
- Mining - Slurry Transport and Autoclave Feed
- Clay Slip

CONTACT

Phone 972.699.8600

Address 3309 Essex Dr #200
Richardson, TX 75082

performancepulsation.com
sales@performancepulsation.com

Scan to view our website

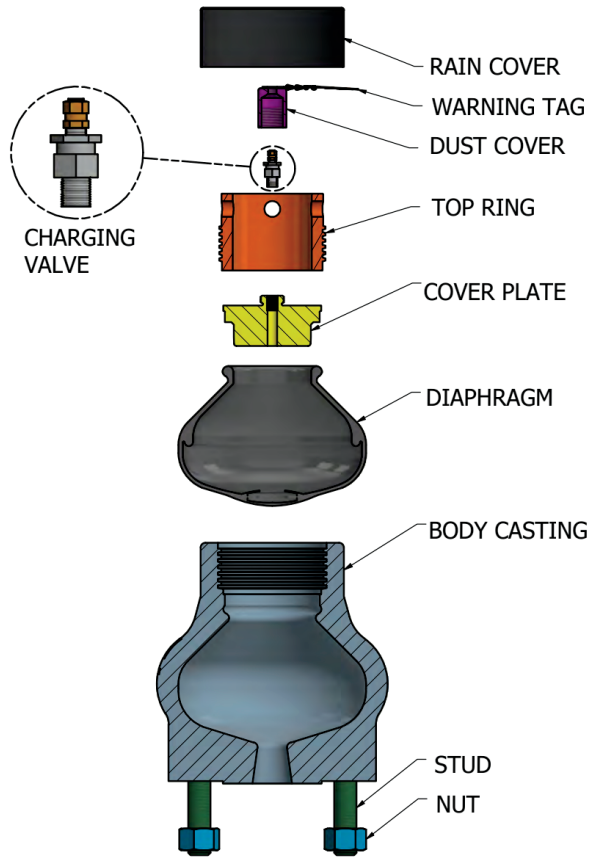


PPC PERFORMANCE
PULSATION CONTROL

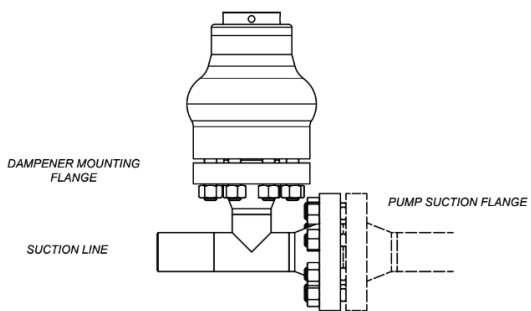


RECOMMENDED INSTALLATION

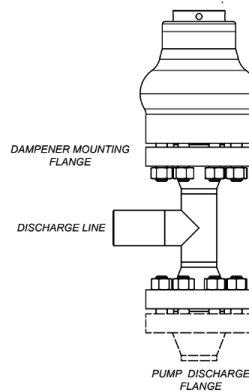
IN-SITU TOP REPAIRABLE



SUCTION STABILIZER
HORIZONTAL PUMP SUCTION



DISCHARGE DAMPENER
VERTICAL PUMP DISCHARGE



DISCHARGE DAMPENER
HORIZONTAL PUMP DISCHARGE
(PREFERRED SETUP)

