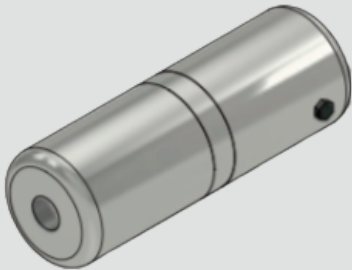
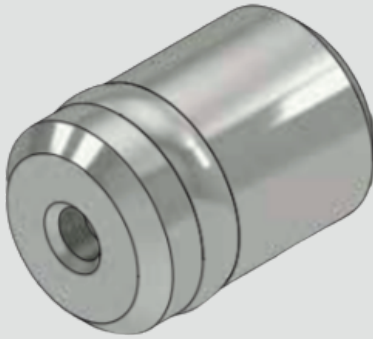


INTRODUCING THE **BULLET™**



STAINLESS STEEL REACTIVE GAS-FREE DAMPENER

Does your Simplex through Triplex Metering / Reciprocating Pump need a highly reliable and trouble-free dampener?

MEET THE BULLET™

Our newest Stainless Steel, Reactive, Liquid-Only, Bladderless, and Gas-Less Dampener eliminates system downtime with a highly efficient and dependable design.

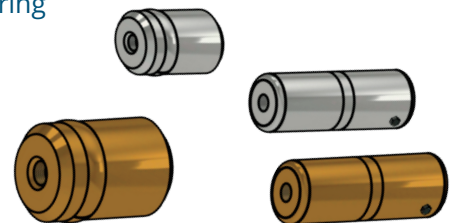
FEATURES:

- 50, 110 and 230 Caliber
- 5,000 psi, 10,000 psi, and 15,000 psi Ratings
- Standard NPT and AE® Connections
- ASME Section VIII Div 1 U-Stamped Standard
- 316SS Construction Standard
- Duplex SS Available

BULLET™ PROOF PULSATION CONTROL FOR METERING PUMPS

APPLICATIONS:

- Off Shore Production Platforms (FPSO)
- On Shore Production Facilities
- Chemical Injection & Metering
- Chemical Dosing
- Remote Locations



CONTACT

Phone 972.699.8600

Address 3309 Essex Dr #200
Richardson, TX 75082

performancepulsation.com
sales@performancepulsation.com

Scan to view our website



FPC PERFORMANCE®
PULSATION CONTROL



INTRODUCING THE **BULLET™**

STAINLESS STEEL REACTIVE GAS-FREE DAMPENER

Let your Metering Pump operate trouble-free with the highly-reliable BULLET™ dampener.

The BULLET™ is our newest Stainless Steel, Reactive Liquid-only, Bladder-less and Gas-less dampener.



FEATURES:

- 50, 110 and 230 Caliber
- 5,000 psi, 10,000 psi, and 15,000 psi Ratings
- Standard NPT and AE® Connections
- ASME Section VIII Div 1 U-Stamped Standard
- 316SS Construction Standard
- Duplex SS Available

BENEFITS:

- Focused Volumes Delivering Excellent Performance
- Range of Pressures Covering Most Applications
- Leak-Free Design for Critical & Severe Service

BLADDERLESS PULSATION CONTROL FOR SIMPLEX THROUGH TRIPLEX METERING / RECIPROCATING PUMPS

