

# Status Flow™

## Stabilizer Catalog



### Cartridge Style Stabilizers

- Cost effective
- Ideal for most suction conditions
- Top servicable
- Internally coated for severe duty
- Wide range of elastomers

Status Flow™

A Division of Performance Pulsation Control

723 West 1st Street

Odessa, Texas 79761

Phone: 432.580.3017 Fax: 432.332.3035



[www.performancepulsation.com](http://www.performancepulsation.com)

# TABLE OF CONTENTS

STATUS FLOW COMPANY HISTORY	3
WHY DO I NEED PULSATION EQUIPMENT	4
TYPICAL INSTALLATIONS	5
TRADITIONAL SIZING & SELECTION INFORMATION	6
CALCULATED PERFORMANCE BASED SIZING INFORMATION	7
STABILIZER CASE DESIGN FEATURES	8
CARTRIDGE DESIGN	9
MODEL CODE NOMENCLATURE	10
CARTRIDGE NOMENCLATURE	11
REPLACEMENT CARTRIDGES	12
ELASTOMERS	13
PARTS DESCRIPTION	14
NITROGEN CHARGING ASSEMBLY	15
CHARGING INSTRUCTIONS	16 - 19
“MINI” GROOVED 4” TOP MODELS (50 CUBIC INCH)	20 - 21
UNION TOP MODELS (100 CUBIC INCH)	22 - 25
GROOVED 6” TOP MODELS (300 & 600 CUBIC INCH)	26 - 28
THREADED TOP MODELS 300 & 600 CUBIC INCH)	29 - 35
MAGNUM GROOVED 8” TOP MODELS (600,900 & 1200 CUBIC INCH)	36 - 39
MAGNUM THREADED TOP MODELS (600,900 & 1200 CUBIC INCH)	40 - 46
GROOVED 16” TOP MODELS (2400 &4800 CUBIC INCH)	47 - 48
“FFS” THREADED TOP FLOW THRU MODELS (300 & 600 CUBIC INCH)	49 - 51
STATUS FLOW LIMITED WARRANTY	52



# STATUS FLOW COMPANY HISTORY

STATUS FLOW, INC. WAS ESTABLISHED IN THE SPRING OF 1998 IN ODESSA, TEXAS WITH THE SOLE PURPOSE OF MANUFACTURING PULSATION STABILIZER EQUIPMENT. THEY UNDERSTOOD THE NEED IN THE PUMPING INDUSTRY NOT ONLY TO PROVIDE THE HIGHEST QUALITY PRODUCTS, BUT BACK THESE PRODUCTS WITH THE KNOWLEDGE AND SERVICE THAT IS DEMANDED IN YESTERDAY'S, TODAY'S, AND TOMORROW'S EVER-CHANGING MARKETS.

IN AUGUST, 2007, PERFORMANCE PULSATION CONTROL BECAME ONE OF THE FEW COMPANIES THAT MANUFACTURES BOTH GAS CHARGED AND MAINTENANCE FREE UNITS BY ITS ACQUISITION OF STATUS FLOW, INC. TODAY STATUS FLOW OPERATES OUT OF ODESSA, TX, AS A DIVISION OF PERFORMANCE PULSATION CONTROL AND ENSURES THAT ANY APPLICATION OR PROJECT REQUIREMENT CAN BE MET BY OUR *FAMILY OF SOLUTIONS™*.

STATUS FLOW OWNERS AND EMPLOYEES PROUDLY EXHIBIT OVER 50 YEARS OF COMBINED EXPERIENCE IN MANUFACTURING PULSATION EQUIPMENT. IT IS WITH THIS EXPERIENCE THAT THEY HAVE BEEN ABLE TO MEET THE NEEDS OF A CONTINUALLY GROWING CUSTOMER BASE THROUGHOUT THE WORLD, AND SURPASS THE STATUS QUO.

WHAT IS OUR GOAL AT STATUS FLOW? **CUSTOMER SATISFACTION!** WE GO TO GREAT LENGTHS IN OUR MANUFACTURING PROCESS TO INSURE THAT EACH CARTRIDGE OR COMPLETE UNIT IS OF THE HIGHEST QUALITY POSSIBLE BEFORE IT LEAVES OUR PLANT.

WE PROVIDE ***Solutions With PERFORMANCE!™***



723 West 1st Street • Odessa, TX 79761 • 432.580.3017

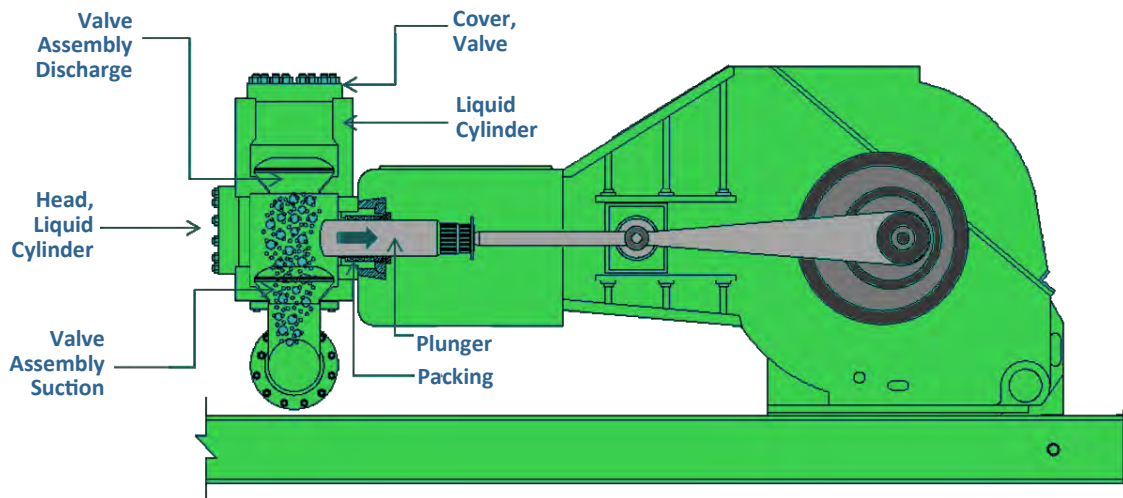
# WHY DO I NEED PULSATION EQUIPMENT?

## WHAT IS PULSATION?

PULSATION OR CAVITATION IS THE SUDDEN CHANGE IN PRESSURE WITHIN A CLOSED SYSTEM WHEN FLUID IS EITHER ACCELERATED OR DECELERATED. SINCE FLUID IS NOT EASILY COMPRESSIBLE ANY FORCE APPLIED TO IT MUST BE ACCOUNTED FOR. THIS ENERGY LEFT UNCHECKED WILL PRODUCE VARIATIONS IN THE FLUID MOVEMENT WHICH CAN BECOME EXTREME AND IN TURN CAUSE SEVERE DAMAGE NOT ONLY TO THE PUMP BUT ALSO THE COMPLETE PIPING SYSTEM.

## WHAT CAUSES PULSATION WITHIN A PUMPING SYSTEM?

THE NUMBER ONE REASON THAT PULSATION OCCURS WITHIN A PUMP IS THE LACK OF PROPER FEED. IT IS ESSENTIAL THAT AS THE PLUNGER IS RETRACTED AND THE PUMP IS FILLED WITH FLUID THAT THE FLUID ALWAYS MAINTAINS CONTACT WITH THE FACE OF THE PLUNGER. IF NOT, WHEN THE PLUNGER MOVES FORWARD IT WILL IMPACT WITH THE FLUID CAUSING UNWANTED VIBRATION OR "PULSATION". A SUCTION STABILIZER AIDS IN KEEPING THE FLUID IN CONSTANT CONTACT WITH THE PLUNGER.



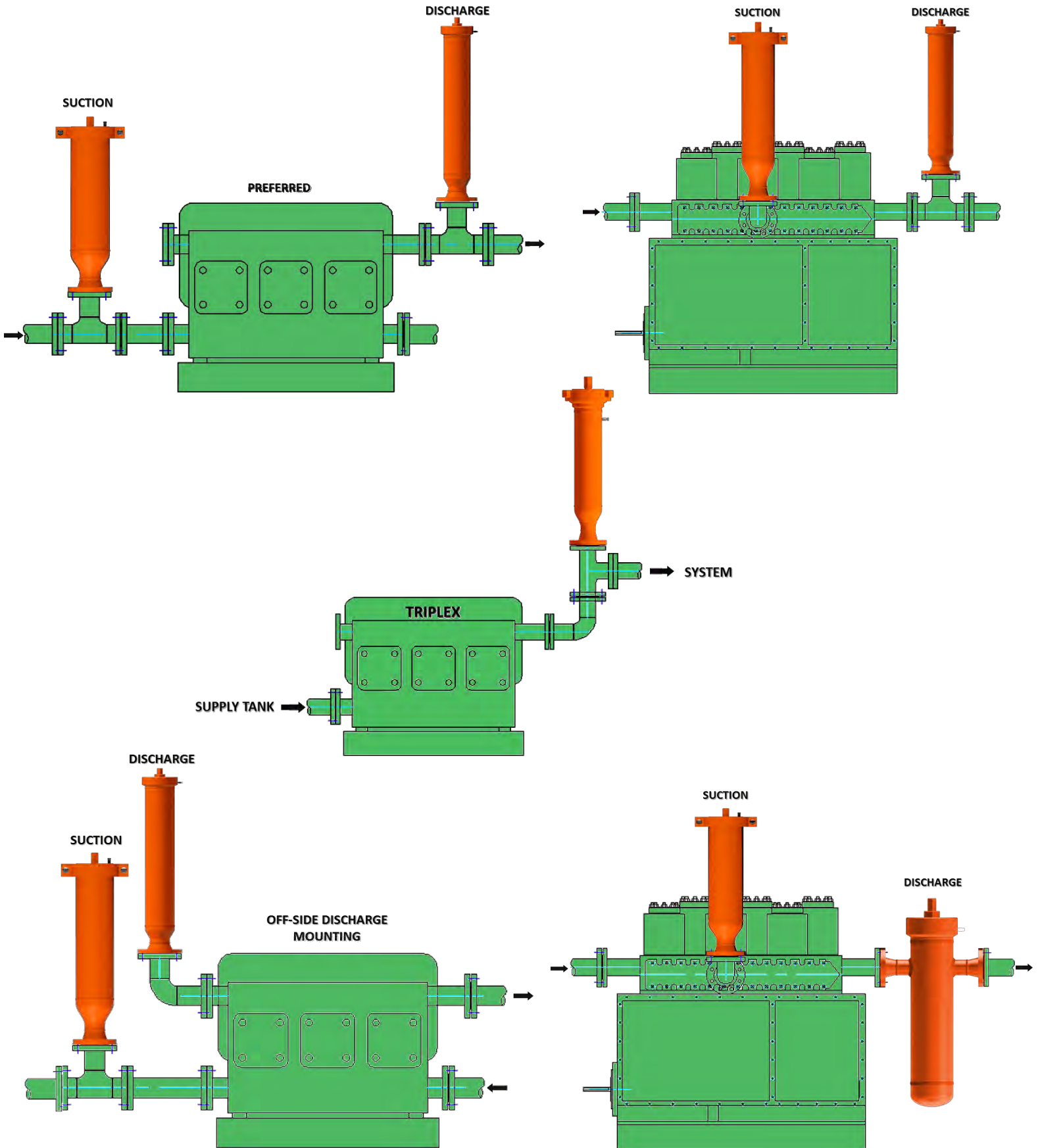
## WHAT ARE SOME OTHER CAUSES OF PULSATION?

LEAKING VALVES.  
IMPROPER SPRING RATES.  
PIPING DESIGNS THAT ARE RESTRICTIVE TO FLOW.  
WORN PACKING.  
MULTIPLE PUMPS ON A COMMON HEADER.

## HOW DOES PULSATION EQUIPMENT HELP?

WHEN A SUCTION AND DISCHARGE STABILIZER ARE PLACED IN A PUMPING SYSTEM THE NITROGEN FILLED CARTRIDGES ACT MUCH LIKE A SHOCK ABSORBER. BECAUSE THE NITROGEN GAS IS COMPRESSIBLE THE SYSTEM IS PRESENTED WITH A CUSHION TO ABSORB THE RAPID ACCELERATION AND DECELERATION OF THE FLUID AS THE PUMP COMPLETES EACH STROKE. A NOTE TO REMEMBER: A SUCTION STABILIZER PROTECTS THE PUMP AND A DISCHARGE STABILIZER PROTECTS THE PIPING SYSTEM. STATUS FLOW HIGHLY RECOMMENDS THAT A **SUCTION AND DISCHARGE STABILIZER** BE PLACED ON EVERY RECIPROCATING PUMPING SYSTEM

# TYPICAL INSTALLATIONS



# TRADITIONAL SIZING & SELECTION INFORMATION

IN GENERAL, THE MAJORITY OF PUMP PULSATION PROBLEMS CAN BE TRACED TO AND REMEDIED ON THE SUCTION SIDE OF A PUMP - EVEN THOUGH SOME SYMPTOMS MAY SHOW UP ON THE DISCHARGE SIDE. IN FEEDING THE PUMP, IT IS IMPERATIVE TO MAINTAIN A STEADY FLOW OF FLUID THROUGH THE SUCTION VALVES. ALSO, THE FLUID COLUMN MUST ATTACH THOROUGHLY TO THE FACE OF THE PLUNGER TO ACHIEVE COMPLETE CYLINDER FILL ON THE SUCTION STROKE. THEREFORE, IT IS RECOMMENDED THAT PULSATION STABILIZERS BE ATTACHED TO THE SUCTION SIDE FIRST, THEN THE DISCHARGE SIDE OF THE PUMP.

**TO SIZE STABILIZERS, YOU WILL NEED:**

1. MAXIMUM OPERATING PRESSURES (SUCTION & DISCHARGE)
2. PUMP CONNECTION SIZES AND TYPES
3. PUMP STROKE LENGTH AND PLUNGER SIZE
4. FLUID TYPE AND TEMPERATURE

**MAXIMUM PUMP OPERATING PRESSURES: EXAMPLE: SFT-14403-F-300**  
DENOTES STABILIZER MAXIMUM WORKING PRESSURE

**PUMP CONNECTION SIZES: EXAMPLE: SFT-14403-F-300**

**NOTE: THE STABILIZER OPENING SHOULD BE THE SAME SIZE AS THE PUMP OPENING OR LARGER. FLANGED AND THREADED SIZES ARE AVAILABLE FROM 1" TO 14" DEPENDING ON THE SERIES**

ANSI RATING	ANSI 150	ANSI 300	ANSI 600	ANSI 900	ANSI 1500	ANSI 2500
WORKING PSI	150 PSI	450 PSI 700 PSI	1440 PSI	2100 PSI	3600 PSI	5000 PSI
SERIES #	1500	4500 7000	14400	21000	36000	50000

**PUMP CAPACITY: EXAMPLE: SFT-14403-F-300**

DETERMINE STABILIZER VOLUME NEEDED (CUBIC INCHES) USING STROKE LENGTH AND PLUNGER DIAMETER (SEE CHART BELOW) (THIS IS A GENERAL SIZING CHART - ALL FACTORS OF PUMPING STATION MUST BE CONSIDERED - IN SPECIAL INSTANCE PLEASES CALL FACTORY FOR PROPER SIZING.)

## SUCTION

PUMP STROKE LENGTH	CUBIC INCH STABILIZER	CONNECTION SIZES
2-1/2 or SHORTER	100 CU.IN.	1" to 3"
2-3/4" to 4"	300 CU.IN.	2" to 8"
4-1/2" to 6"	600 CU.IN.	2" to 8"
6" to 8"	900 CU.IN.	3" to 8"
9" to 12"	1200 CU.IN.	3" to 8"
10" to 14"	2400 CU.IN.	4" to 14"
12" to 15"	4800 CU.IN.	4" to 14"

## DISCHARGE

PUMP STROKE LENGTH	CUBIC INCH STABILIZER	CONNECTION SIZES
2-1/2 or SHORTER	100 CU.IN.	1" to 3"
3" to 4"	300 CU.IN.	2" to 8"
5" to 12"	600 CU.IN.	2" to 8"
10" to 12"	1200 CU.IN.	3" to 8"
NOTE: Below 2100 PSI	1200 CU.IN.	3" to 8"

★ **WHEN APPLICATION REQUIRES THE PLUNGER SIZE BEING MORE THAN HALF THE PUMP STROKE LENGTH; DEFER TO THE NEXT LARGER CU.IN. SIZE** ★

## FLUID TYPE & TEMPERATURE:

FLUID THAT IS PUMPED MUST BE COMPATIBLE WITH THE INTERNAL CARTRIDGE (NITRILE IS STANDARD UNLESS OTHERWISE SPECIFIED - SEE PAGE 13 FOR ADDITIONAL INFORMATION ON ELASTOMER COMPATIBILITY)

# CALCULATED PERFORMANCE BASED SIZING INFORMATION

Gas charged units are sized using the following equation:

$$\text{Size} = \frac{c * D^2 * S * (Ps \text{ or } Pd)}{\% * (Pcs \text{ or } Pcd)}$$

This approach for sizing suction stabilizers and discharge dampeners is a publicly available method that is well proven over many years. The equation and pump factors are found in John Miller's book, The Reciprocating Pump, Theory and Design, which Performance Pulsation Control utilizes in PPC's standard quotations and performance analysis.

"c" equals	0.100 for Triplex SA 0.030 for Quintuplex SA 0.684 for Simplex SA 0.558 for Simplex DA 0.558 for Duplex SA 0.196 for Duplex DA
"Size"	Equals gas volume retained in vessel
"D"	Equals diameter of plunger or piston
"S"	Equals stroke length of pump in inches
"Ps" or "Pd"	Equals pump operating Pressure in System (Ps = suction operating pressure / Pd = discharge operating pressure)
"Pc"	Equals pre-charge pressure (Pcs = Pre-charge press - suction / Pcd = Pre-charge press - discharge)
"%"	Equals Residual Pulsation as a percent of "P" expressed as a whole number. For instance 4% goes into the equation as "4"

(Note - % can be different for suction and discharge)

Example Operations: 2.25" X 3" single acting triplex pumping with a discharge pressure of 1360 psig and suction pressure of 2.7 psig, with a recommended 4% suction stabilizer performance and a recommended 4% discharge dampener performance level. PPC recommends that gas pre-charge pressure be maintained to insure performance levels noted within this calculation.

**Notes: In this application, the following are the inputs.**

- Ps** = 2.7 psig
- Pd** = 1360 psig
- Pcs** = 1.5 psig (PPC recommended pre-charge pressure for suction stabilizer is approximately 50% to 60% of suction operating pressure (Ps) – not to exceed maximum pre-charge pressure of the cartridge)
- Pcd** = 500 psig (PPC recommended pre-charge pressure for discharge dampener is approximately 60% to 80% of discharge operating pressure (Pd) – not to exceed maximum pre-charge pressure of the cartridge)
- C** = 0.100 for triplex single acting pump
- D** = 2.25
- S** = 3
- %** = 4 Performance selected

## SUCTION STABILIZER SIZING:

$$\text{Size} = [0.100 \times 2.25^2 \times 3 \times 2.7] / [4 \times 1.5] = 0.69 \text{ gallons}$$

The size in the equation above equates to gas volume in gallons.

Size conversion – 0.69 gallons x 231 cubic inch / gallon = 159.4 cubic inch

Unit selected is a 300 cubic inch (1.3 gallons) unit with a pre-charged cartridge.

Performance criteria of 4% is satisfied.

## Discharge Sizing:

$$\text{Size} = [0.100 \times 2.25^2 \times 3 \times 1360] / [4 \times 500] = 1.04 \text{ gallons}$$

The size in the equation above equates to gas volume in gallons.

Size conversion – 1.04 gallons x 231 cubic inch / gallon = 240.3 cubic inch

Unit being offered is a 300 cubic inch (1.3 gallons) unit with a pre-charged cartridge.

Performance criteria of 4% is satisfied.

# STABILIZER CASE DESIGN FEATURES

## EXAMPLE: SFT-SERIES



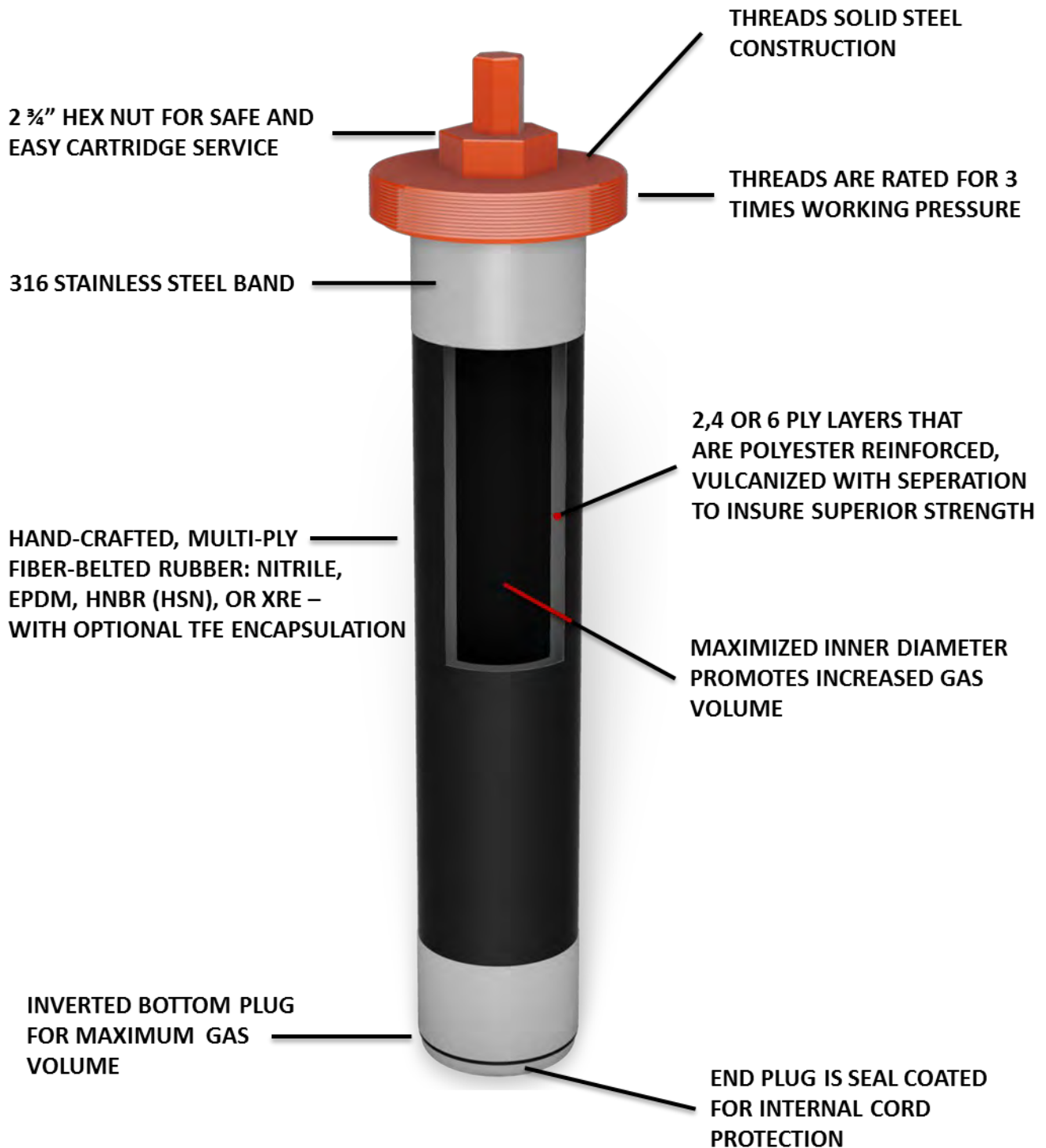
★ OPTIONAL CERTIFICATIONS AVAILABLE:



CRN

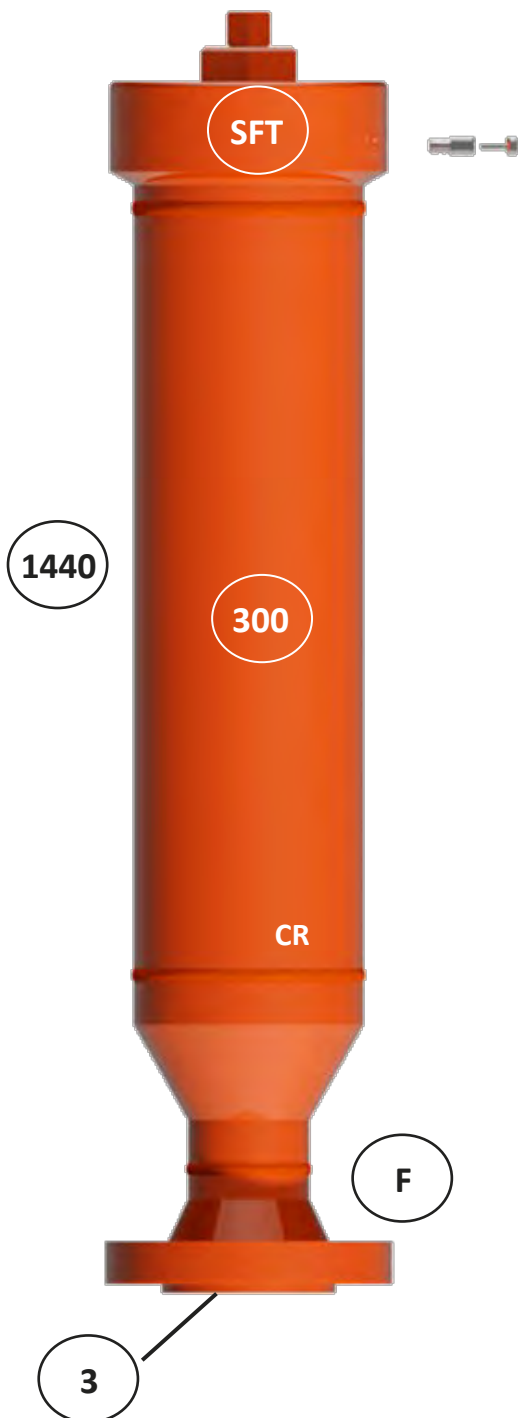


# CARTRIDGE DESIGN



# MODEL CODE NOMENCLATURE

EXAMPLE: **SFT-14403-F-300**



**SFT** CARTRIDGE CONNECTION TYPE:

- (SFT) THREADED
- (SFAT) ACME THREADED
- (SFU) UNION
- (SFV) GROOVED 4" & 6"
- (SFVM) MAGNUM GROOVED 8"
- (SFM) MAGNUM THREADED
- (SFG) GROOVED 16"

**1440** RATED OPERATING PRESSURE:

- 150
- 450
- 700
- 1440
- 2100
- 3000
- 3600
- 5000

**3** OPENING SIZE: \*DEPENDS ON THE SERIES\*

- 1"
- 1.5"
- 2"
- 2.5"
- 3"
- 4"
- 6"
- 8"
- 10"
- 12"
- 14"

**F** MOUNTING TYPE:

- (F) FLANGED RF
- (T) NPT THREADED
- (FFS) FLANGED FLOW THROUGH –TOP (STD)
- (FFT) FLANGED FLOW THROUGH –BOTTOM
- (FJ) FLANGED RTJ

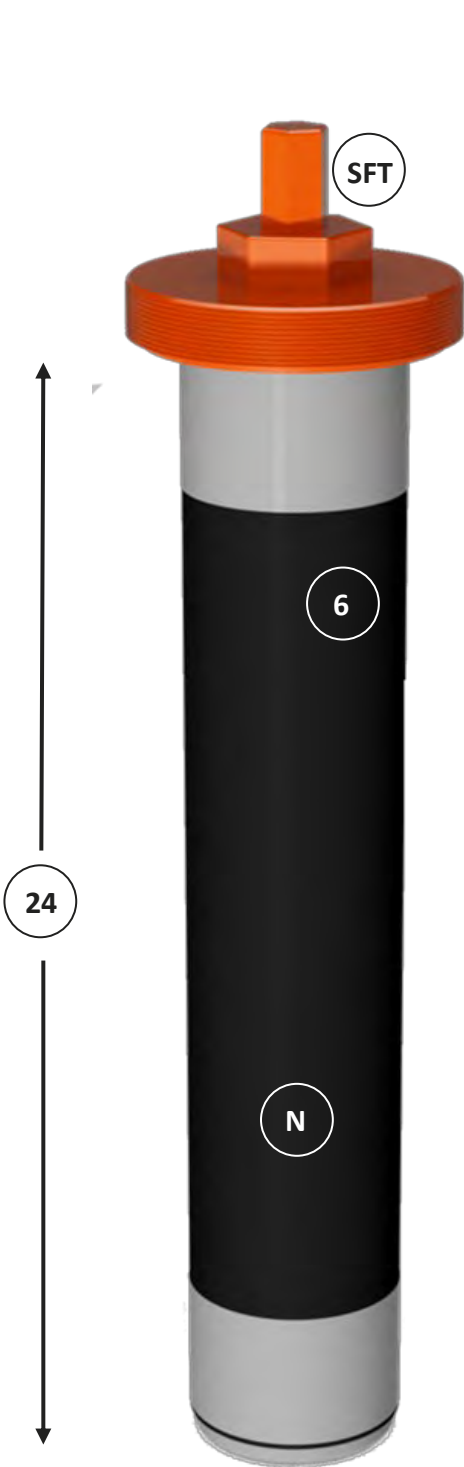
**300** CUBIC INCH GAS VOLUME OF STABILIZER INTERNAL CARTRIDGE:

- 50
- 100
- 300
- 600
- 900
- 1200
- 2400
- 4800

*\*For additional requirements, multiple non-displayed options are available.\**

# CARTRIDGE NOMENCLATURE

EXAMPLE: SFT-246-N



**SFT** CARTRIDGE CONNECTION TYPE:

- (SFT) THREADED
- (SFAT) ACME THREADED
- (SFU) UNION
- (SFV) GROOVED 4" & 6"
- (SFVM) MAGNUM GROOVED 8"
- (SFM) MAGNUM THREADED
- (SFG) GROOVED 16"

**24** CARTRIDGE LENGTH:

- 9"
- 18"
- 24"
- 36"
- 48"

**6** NUMBER OF PLYS:

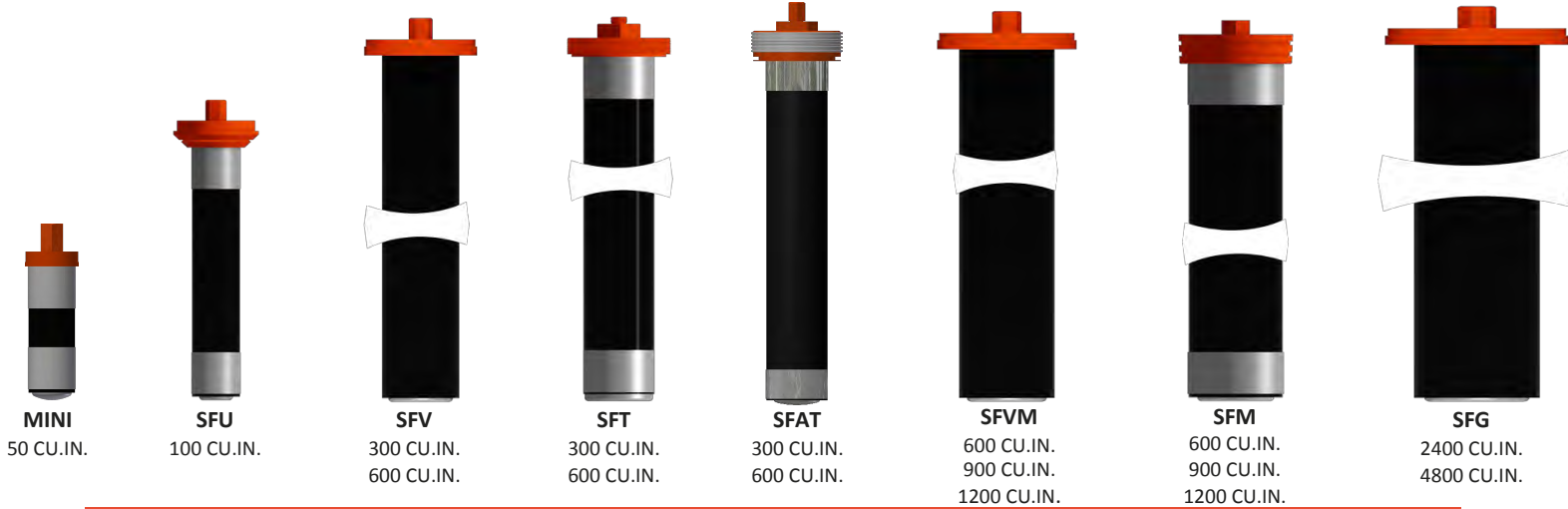
- 2-PLY
- 4-PLY
- 6-PLY

**N** TYPE OF MATERIAL:

- (N) NITRILE
- (NT) NITRILE / TFE ENCAPSULATED
- (NN) NITRILE / NICKEL PLATED
- (NTN) NITRILE / NICKEL PLATED / TFE ENCAPSULATED
- (E) EPDM
- (ET) EPDM / TFE ENCAPSULATED
- (EN) EPDM / NICKEL PLATED
- (ETN) EPDM / NICKEL PLATED / TFE ENCAPSULATED
- (X) XRE
- (XT) XRE / TFE ENCAPSULATED
- (XN) XRE / NICKEL PLATED
- (XTN) XRE / NICKEL PLATED / TFE ENCAPSULATED
- (H) HNBR (HSN)
- (HT) HNBR / TFE ENCAPSULATED
- (HN) HNBR / NICKEL PLATED
- (HTN) HNBR / NICKEL PLATED / TFE ENCAPSULATED

**\*NITRILE IS THE STANDARD ELASTOMER ON ALL CARTRIDGES UNLESS SPECIFIED. FOR COMPATIBILITY OF ELASTOMERS, REFER TO PAGE 13, OR CONTACT THE FACTORY.\***

# REPLACEMENT CARTRIDGES



CARTRIDGE MODEL	PLY	GAS VOLUME	LENGTH	WIDTH	WEIGHT	MAX CHARGE
SFU-182	2	100 CU.IN.	18"	3"	20 LBS	100 PSI
SFU-186	6	100 CU.IN.	18"	3"	20 LBS	500 PSI
SFV-92	2	50 CU.IN.	9"	3"	17 LBS	100 PSI
SFV-96	6	50 CU.IN.	9"	3"	18 LBS	100 PSI
SFV-242	2	300 CU.IN.	24"	4"	25 LBS	100 PSI
SFV-244	4	300 CU.IN.	24"	4"	30 LBS	300 PSI
SFV-482	2	600 CU.IN.	48"	4"	25 LBS	100 PSI
SFV-484	4	600 CU.IN.	48"	4"	30 LBS	300 PSI
SFT-242	2	300 CU.IN.	24"	4"	25 LBS	100 PSI
SFT-244	4	300 CU.IN.	24"	4"	30 LBS	300 PSI
SFT-246	6	300 CU.IN.	24"	4"	35 LBS	500 PSI
SFAT-246	6	300 CU.IN.	24"	4"	45 LBS	500 PSI
SFT-246-5	6	300 CU.IN.	24"	4"	45 LBS	500 PSI
SFT-482	2	600 CU.IN.	48"	4"	25 LBS	100 PSI
SFT-484	4	600 CU.IN.	48"	4"	30 LBS	300 PSI
SFT-486	6	600 CU.IN.	48"	4"	50 LBS	500 PSI
SFAT-486	6	600 CU.IN.	48"	4"	60 LBS	500 PSI
SFT-486-5	6	600 CU.IN.	48"	4"	60 LBS	500 PSI
SFVM-244	4	600 CU.IN.	24"	6"	55 LBS	125 PSI
SFVM-364	4	900 CU.IN.	36"	6"	60 LBS	125 PSI
SFVM-484	4	1200 CU.IN.	48"	6"	60 LBS	125 PSI
SFM-244	4	600 CU.IN.	24"	6"	55 LBS	125 PSI
SFM-246	6	600 CU.IN.	24"	6"	55 LBS	300 PSI
SFM-364	4	900 CU.IN.	36"	6"	60 LBS	125 PSI
SFM-366	6	900 CU.IN.	36"	6"	65 LBS	300 PSI
SFM-484	4	1200 CU.IN.	48"	6"	60 LBS	125 PSI
SFM-486	6	1200 CU.IN.	48"	6"	70 LBS	300 PSI
SFG-246	6	2400 CU.IN.	24"	11.5"	170 LBS	100 PSI
SFG-486	6	4800 CU.IN.	48"	11.5"	210 LBS	100 PSI

# ELASTOMERS

## ELASTOMERS:

**NITRILE** (GENERIC NAME) IS THE COPOLYMER OF BUTADIENE AND ACRYLONITRILE. TRADE NAMES INCLUDE BUNA, HYCAR, CHEMIGUM, PARACRIL, KRYNAC, AND NYSYN. NITRILE RUBBER COMPOUND IS RECOMMENDED FOR MOST APPLICATIONS INVOLVING PETROLEUM PRODUCTS, VEGETABLE OILS, MINERAL OILS, AND WATER WITHIN THE FOLLOWING TEMPERATURE RANGE (-20F/+180F). NITRILE RUBBERS ARE HIGHLY RESISTANT TO NON-POLAR OILS AND SOLVENTS BUT ARE SWELLED OR DISSOLVED BY HIGHLY POLAR SOLVENTS. VULCANIZATES ARE RESISTANT TO PETROLEUM OILS AND FUELS AND ARE ESSENTIALLY UNAFFECTED BY ALKALINE SOLUTIONS, ALIPHATIC HYDROCARBONS, DILUTE ACIDS, FATTY ACIDS AND VEGETABLE FATS. THEY ARE SWELLED AND ATTACKED STRONGLY BY KETONES, AROMATICS AND CONCENTRATED OXIDIZING ACIDS. NITRILE RUBBERS ARE RESISTANT TO CRUDE OIL, GASOLINE, FUEL AND PETROLEUM BASED OILS BUT ARE AFFECTED BY ACETONES, AMINES, TOLUENE, BENZENE AND RELATED COMPOUNDS. NITRILE RUBBERS ARE MOLDED AT TEMPERATURES OF 300F AND ARE GENERALLY CONSIDERED SERVICEABLE IN APPLICATIONS UP TO 180F. HOWEVER IN CONTINUOUS SERVICES ABOVE 150F THE USEABLE LIFE OF THE CARTRIDGE WILL BE SHORTENED.

**EPDM** (GENERIC NAME) IS A TERPOLYMER OF ETHYLENE, PROPYLENE, AND DIENE. TRADE NAMES INCLUDE EPSYN NORDEL, VISTALON, EPCAR AND ROYALENE. EPDM RUBBER COMPOUND IS RECOMMENDED FOR HOT WATER APPLICATIONS AND ALSO FOR AMINE APPLICATIONS WITH CONCENTRATIONS BELOW 25% AND WITHIN THE SPECIFIED TEMPERATURE RANGE. IT IS ALSO RECOMMENDED FOR GLYCOL AND TEG (TRI-ETHYLENE GLYCOL) SERVICES WITHIN THE SPECIFIED TEMPERATURE RANGE. EPDM RUBBERS HAVE OUTSTANDING RESISTANCE TO OXYGEN, OZONE AND HEAT VULCANIZATES AND ARE ESSENTIALLY UNAFFECTED BY WATER, ALKALINES, SOME ACIDS AND DIESTERS. THEY HAVE POOR RESISTANCE TO ALIPHATIC HYDROCARBONS. THEY ARE SWELLED AND ATTACKED BY AROMATIC HYDROCARBONS, SOME ALCOHOLS, AND VEGETABLE AND ANIMAL OILS. EPDM RUBBERS HAVE FAIR TO GOOD RESISTANCE TO ACETONE, CARBONIC ACID, CITRIC ACID, DETERGENTS, ETHYLENE GLYCOL AND 20% HYDROCHLORIC ACID BUT ARE AFFECTED BY BUTANE, PROPANE, BENZENE, CONCENTRATED HYDROCHLORIC AND SULFURIC ACID. EPDM RUBBERS ARE NORMALLY MOLDED AT TEMPERATURES UP TO 300F AND ARE GENERALLY CONSIDERED SERVICEABLE UP TO 230F. THE GENERAL RANGE IS CONSIDERED TO BE -20F/+230F, HOWEVER WITH HIGHER CONCENTRATIONS AND TEMPERATURES ABOVE 180F THE USEABLE LIFE OF THE CARTRIDGE WILL BE SHORTENED.

**XRE** IS PROPRIETARY FORMULA. XRE RUBBER COMPOUND WAS DEVELOPED SPECIFICALLY TO MEET THE INCREASED CONCENTRATIONS AND TEMPERATURES OF AMINES; MORE SPECIFICALLY SELEXOL. HOWEVER, IT ALSO HAS GOOD RESISTANCE IN HIGH TEMPERATURE SERVICES OF GLYCOL, TEG (TRI-ETHYLENE GLYCOL), CHLORIDE, CAUSTIC, SODIUM HYDROXIDE, SODIUM SILICATE, SULFUR DIOXIDE, AND STEAM. XRE RUBBER IS NORMALLY MOLDED AT TEMPERATURES UP TO 350F AND IS GENERALLY CONSIDERED SERVICEABLE IN TEMPERATURES OF -20/+300F; HOWEVER WITH HIGHER CONCENTRATIONS AND TEMPERATURES ABOVE 280F THE USEABLE LIFE OF THE CARTRIDGE WILL BE SHORTENED.

**HNBR** IS A COPOLYMER. TRADE NAMES INCLUDE HSN. HNBR RUBBER COMPOUND IS RECOMMENDED FOR NON-POLAR HYDROCARBONS, CRUDE OIL, GREASE, WATER, STEAM, PETROLEUM, SOME FUELS, SOME OILS, SALT SOLUTIONS, WATER ANHYDROUS AMMONIA, ETHANOL, AND ALCOHOL. HNBR IS ATTACKED OR HAS POOR RESISTANCE TO OZONE, KETONES, ESTERS AND CHLORINATED SOLVENTS. HNBR RUBBER IS NORMALLY MOLDED AT TEMPERATURES OF 350F AND IS GENERALLY CONSIDERED SERVICEABLE IN TEMPERATURES OF -20/+300F; HOWEVER WITH HIGHER CONCENTRATIONS AND TEMPERATURES ABOVE 280F THE USEABLE LIFE OF THE CARTRIDGE WILL BE SHORTENED.

## ELASTOMER COMPATIBILITY:

**NITRILE (BUNA N):** CRUDE OIL, GASOLINE, LPG, WATER, KEROSENE, ASTM OIL GR. 1-2-3, SALT WATER, ALIPHATIC HYDROCARBONS & DRILL MUD

**EPDM (NORDEL):** AMINES, TEG, GLYCOL, SULFUR DIOXIDE, SLURRIES WITH HIGH CHLORINE CONCENTRATES, BORIC ACID, SODIUM HYDROXIDE

**XRE:** AMINES, TEG, GLYCOL, CHLORIDE, CAUSTIC, SODIUM HYDROXIDE, SODIUM SILICATE, SULFUR-DIOXIDE, WATER, STEAM

**HNBR (HSN):** NON-POLAR HYDROCARBONS, CRUDE OIL, GREASE, WATER, STEAM, PETROLEUM, SOME FUELS, SOME OILS, SALT SOLUTIONS, WATER ANHYDROUS AMMONIA, ETHANOL, ALCOHOL

**TEFLON ENCAPSULATION (TFE SLEEVE):** ANHYDROUS AMMONIA, HIGH H<sub>2</sub>S CONCENTRATES

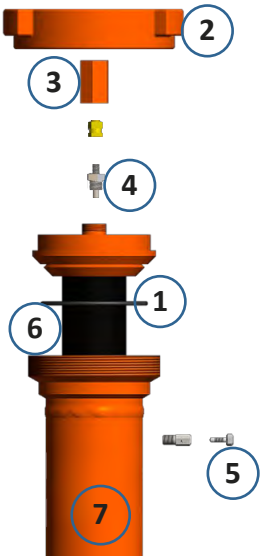
**ELECTROLESS NICKEL PLATING:** CORROSIVE SERVICE, SEA WATER

***\*NITRILE IS THE STANDARD ELASTOMER ON ALL CARTRIDGES  
UNLESS SPECIFIED\****

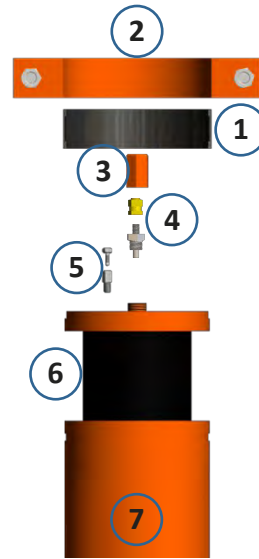
FOR FURTHER COMPATIBILITY OF ELASTOMERS, PLEASE CONTACT THE FACTORY.



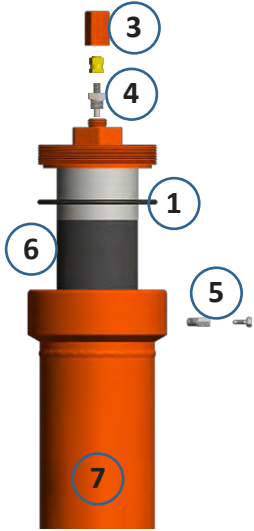
# PARTS DESCRIPTION



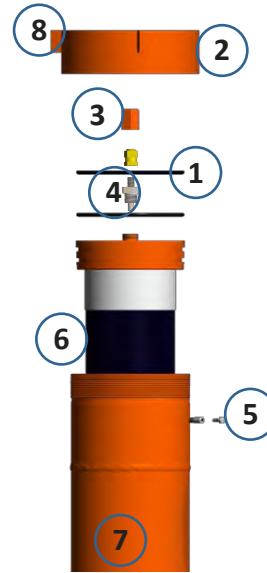
SFU SERIES	
1	SFU GASKET
2	SFU WING NUT
3	DUST CAP
4	LOADING VALVE
5	BLEEDER VALVE
6	CARTRIDGE
7	CASE



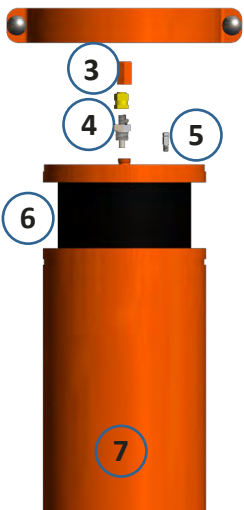
MINI, SFV & SFVM SERIES	
1	4", 6", OR 8" SUCTION GASKET
2	4", 6", OR 8" GROOVED COUPLING
3	DUST CAP
4	LOADING VALVE
5	BLEEDER VALVE
6	CARTRIDGE
7	CASE



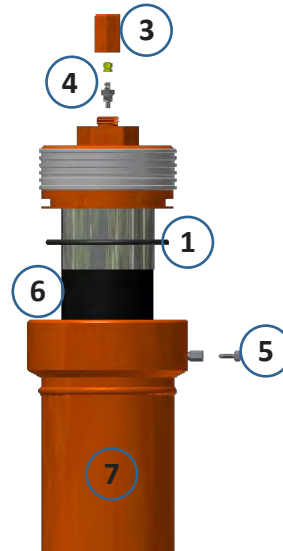
SFT SERIES	
1	HPG-1 GASKET (NITRILE, HNBR, XRE OR EPDM)
3	DUST CAP
4	LOADING VALVE
5	BLEEDER VALVE
6	CARTRIDGE
7	CASE



SFM SERIES	
1	SFM GASKET (2 REQUIRED)
2	SFM WING NUT
3	DUST CAP
4	LOADING VALVE
5	BLEEDER VALVE
6	CARTRIDGE
7	CASE
8	SFM WINGNUT SCREW



SFG SERIES	
1	16" SUCTION GASKET
2	16" GROOVED COUPLING
3	DUST CAP
4	LOADING VALVE
5	BLEEDER VALVE
6	CARTRIDGE
7	CASE



SFAT SERIES	
1	SFAT GASKET
3	DUST CAP
4	LOADING VALVE
5	BLEEDER VALVE
6	CARTRIDGE
7	CASE

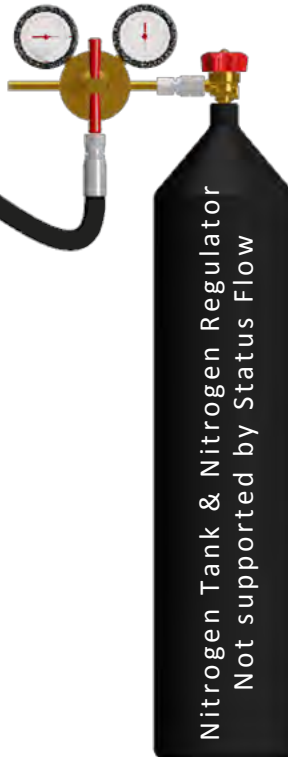
# NITROGEN CHARGING ASSEMBLY

LA-600  
ASSEMBLY



NITROGEN  
ONLY

15-H 15' LOADING HOSE  
50-H 50' LOADING HOSE



NITROGEN  
REGULATOR

 **WARNING** 

THE USE OF ANY GAS OTHER  
THAN NITROGEN IS EXTREMELY  
DANGEROUS.

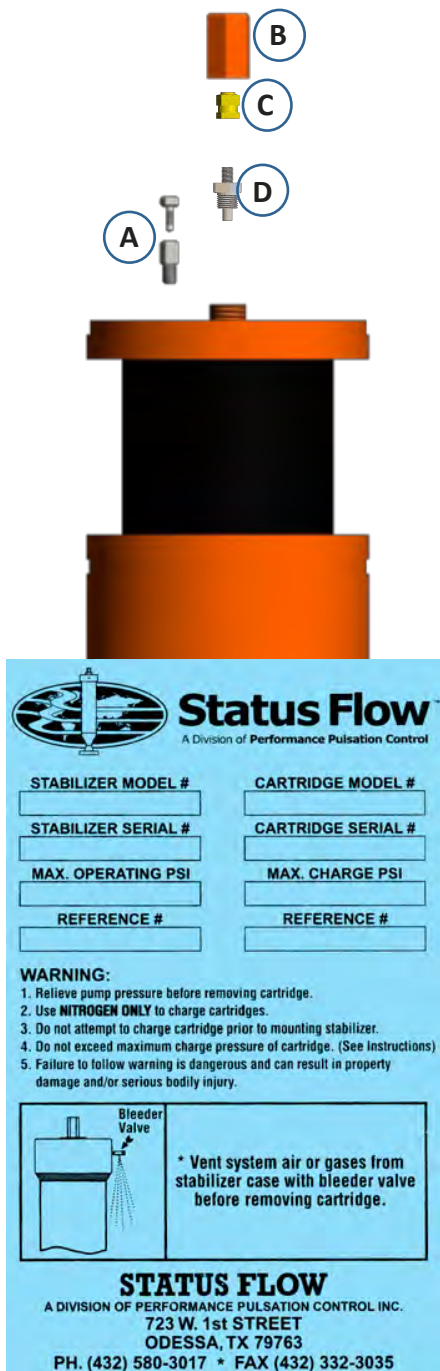
NEVER ATTEMPT TO CHARGE OR  
PRE-CHARGE A CARTRIDGE  
OUTSIDE OF THE PULSATION  
STABILIZER CASE.

Nitrogen Tank & Nitrogen Regulator  
Not supported by Status Flow

# CHARGING INSTRUCTIONS SUCTION

RECOMMENDED PRE-CHARGE IS 60% OF SUCTION OPERATING PRESSURE UP TO THE MAXIMUM CHARGE PRESSURE OF THE CARTRIDGE, WHICHEVER IS LESS. (AS SHOWN ON THE CASE LABEL OR PRESSURE TAG ON TOP OF CARTRIDGE)

(YOU MAY FIND IT NECESSARY TO DECREASE THE PRESSURE IN THE SUCTION CARTRIDGE TO ACHIEVE OPTIMUM PUMP PERFORMANCE.)



1. Shut down pump and relieve line pressure from discharge side before closing suction valve. After discharge line is relieved of pressure, close suction line valve and drain suction line.
2. Open bleeder valve 'A'. Take appropriate action to manage fluid that will come out.
3. Remove loading valve protector cap 'B' (Dust Cover)
4. Remove cap from loading valve 'C' and attach charging hose.
5. Loosen 5/8" safety nut 'D' three full turns.
6. Using **NITROGEN ONLY**, charge the cartridge through loading valve 'C' to the recommended charge pressure (60% of suction operating pressure) **NOTE: DO NOT EXCEED MAXIMUM CARTRIDGE CHARGE PRESSURE (ON CASE LABEL OR CARTRIDGE PRESSURE TAG)**
7. Tighten safety nut 'D' on loading valve 'C', remove hose and replace cap. **WARNING: FAILURE TO RETIGHTEN THE SAFETY NUT SNUGGLY, WILL RESULT IN NITROGEN LEAKING OUT OF THE CARTRIDGE; LEADING TO IMPROPER PERFORMANCE & CARTRIDGE FAILURE.**
8. Replace loading valve protector cap 'B'
9. Open pump suction valve. When air from bleeder valve 'A' is evacuated, close bleeder valve 'A'. Take appropriate action to manage fluid that will come out.

**WARNING**

CHARGE WITH NITROGEN ONLY  
DO NOT EXCEED MAXIMUM  
CHARGE PRESSURE LISTED ON  
CASE NAME PLATE/LABEL OR  
CARTRIDGE PRESSURE TAG



# CHARGING INSTRUCTIONS DISCHARGE

RECOMMENDED PRE-CHARGE IS 70% OF DISCHARGE OPERATING PRESSURE UP TO THE MAXIMUM CHARGE PRESSURE OF THE CARTRIDGE, WHICHEVER IS LESS. (AS SHOWN ON THE STABILIZER CASE LABEL OR PRESSURE TAG ON TOP OF CARTRIDGE)


(YOU MAY FIND IT NECESSARY TO DECREASE THE PRESSURE IN THE DISCHARGE CARTRIDGE TO ACHIEVE OPTIMUM PUMP PERFORMANCE.)

1. Shut down pump and relieve line pressure using appropriate safety and fluid management actions.
2. Open bleeder valve 'A'. Take appropriate action to manage fluid that will come out.
3. Remove loading valve protector cap 'B' (Dust Cover)
4. Remove cap from loading valve 'C' and attach charging hose.
5. Loosen 5/8" safety nut 'D' three full turns.
6. Using **NITROGEN ONLY**, charge the cartridge through loading valve 'C'. Recommended charge pressure is 70% of discharge operating pressure up to the maximum charge pressure of cartridge. **NOTE: DO NOT EXCEED MAXIMUM CARTRIDGE CHARGE PRESSURE (ON CASE LABEL OR CARTRIDGE PRESSURE TAG)**
7. Tighten safety nut 'D' on loading valve 'C' remove hose and replace cap. **WARNING: FAILURE TO RETIGHTEN THE SAFETY NUT SNUGGLY, WILL RESULT IN NITROGEN LEAKING OUT OF THE CARTRIDGE; LEADING TO IMPROPER PERFORMANCE & CARTRIDGE FAILURE.**
8. Replace loading valve protector cap 'B'.
9. Open pump suction valve. When air from bleeder valve 'A' is evacuated, close bleeder valve 'A'. Take appropriate action to manage fluid that will come out.



**⚠ WARNING ⚠**

CHARGE WITH NITROGEN ONLY  
DO NOT EXCEED MAXIMUM  
CHARGE PRESSURE LISTED ON  
CASE NAME PLATE/LABEL OR  
CARTRIDGE PRESSURE TAG

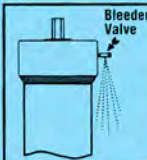


**Status Flow**  
A Division of Performance Pulsation Control

STABILIZER MODEL #	CARTRIDGE MODEL #
STABILIZER SERIAL #	CARTRIDGE SERIAL #
MAX. OPERATING PSI	MAX. CHARGE PSI
REFERENCE #	REFERENCE #

**WARNING:**

1. Relieve pump pressure before removing cartridge.
2. Use **NITROGEN ONLY** to charge cartridges.
3. Do not attempt to charge cartridge prior to mounting stabilizer.
4. Do not exceed maximum charge pressure of cartridge. (See Instructions)
5. Failure to follow warning is dangerous and can result in property damage and/or serious bodily injury.



\* Vent system air or gases from stabilizer case with bleeder valve before removing cartridge.

STATUS FLOW

A DIVISION OF PERFORMANCE PULSATION CONTROL INC.  
723 W. 1st STREET  
ODESSA, TX 79763  
PH. (432) 580-3017 \* FAX (432) 332-3035

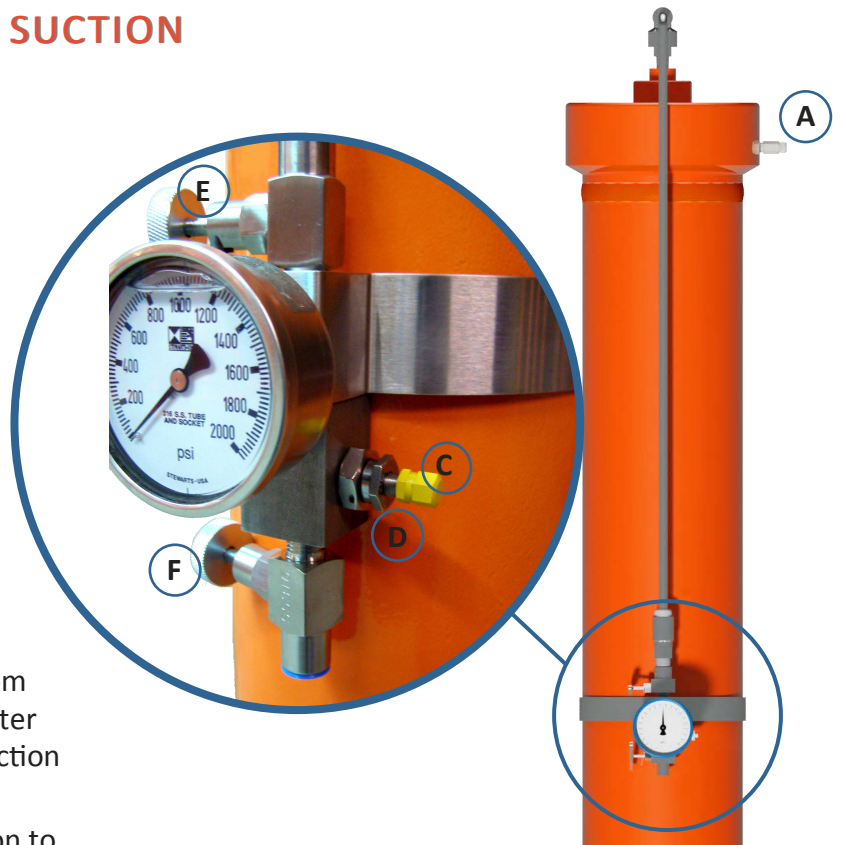
# CHARGING INSTRUCTIONS

## LOWER LOADING ASSEMBLY


### SUCTION

RECOMMENDED PRE-CHARGE IS 60% OF SUCTION OPERATING PRESSURE UP TO THE MAXIMUM CHARGE PRESSURE OF THE CARTRIDGE, WHICHEVER IS LESS. (AS SHOWN ON THE CASE LABEL OR PRESSURE TAG ON TOP OF CARTRIDGE)  
(YOU MAY FIND IT NECESSARY TO DECREASE THE PRESSURE IN THE SUCTION CARTRIDGE TO ACHIEVE OPTIMUM PUMP PERFORMANCE.)

(F) BLEEDER VALVE SHOULD BE CLOSED TIGHTLY BEFORE CHARGING & REMAIN CLOSED DURING CHARGING & OPERATION.



1. Shut down pump and relieve line pressure from discharge side before closing suction valve. After discharge line is relieved of pressure, close suction line valve and drain suction line.
2. Open bleeder valve 'A'. Take appropriate action to manage fluid that will come out.
3. To charge bladder, open valve (E) three turns.
4. Remove cap from loading valve 'C' and attach charging hose.
5. Loosen 5/8" safety nut 'D' three full turns.
6. Using **NITROGEN ONLY**, charge the cartridge through loading valve 'C' to the recommended charge pressure (60% of suction operating pressure) **NOTE: DO NOT EXCEED MAXIMUM CARTRIDGE CHARGE PRESSURE (ON CASE LABEL OR CARTRIDGE PRESSURE TAG)**
7. Tighten safety nut 'D' on loading valve 'C', remove hose and replace cap. **WARNING: FAILURE TO RETIGHTEN THE SAFETY NUT SNUGGLY, WILL RESULT IN NITROGEN LEAKING OUT OF THE CARTRIDGE; LEADING TO IMPROPER PERFORMANCE & CARTRIDGE FAILURE.**
8. Replace loading valve protector cap 'B'
9. Open pump suction valve. When air from bleeder valve 'A' is evacuated, close bleeder valve 'A'. Take appropriate action to manage fluid that will come out.

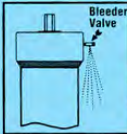


**Status Flow**  
A Division of Performance Pulsation Control

STABILIZER MODEL #	CARTRIDGE MODEL #
STABILIZER SERIAL #	CARTRIDGE SERIAL #
MAX. OPERATING PSI	MAX. CHARGE PSI
REFERENCE #	REFERENCE #

**WARNING:**

1. Relieve pump pressure before removing cartridge.
2. Use **NITROGEN ONLY** to charge cartridges.
3. Do not attempt to charge cartridge prior to mounting stabilizer.
4. Do not exceed maximum charge pressure of cartridge. (See instructions)
5. Failure to follow warning is dangerous and can result in property damage and/or serious bodily injury.



\* Vent system air or gases from stabilizer case with bleeder valve before removing cartridge.

STATUS FLOW

A DIVISION OF PERFORMANCE PULSATION CONTROL INC.  
723 W. 1st STREET  
ODESSA, TX 79763  
PH. (432) 580-3017 \* FAX (432) 332-3035

**⚠ WARNING ⚠**

**CHARGE WITH NITROGEN ONLY  
DO NOT EXCEED MAXIMUM CHARGE PRESSURE LISTED ON LABEL**

# CHARGING INSTRUCTIONS

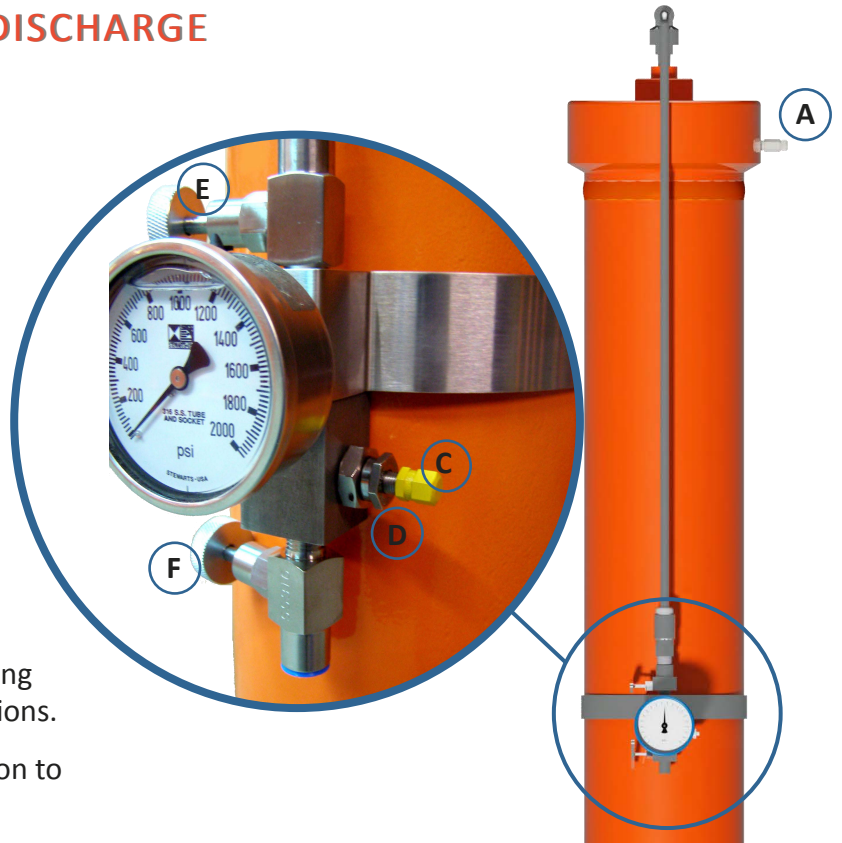
## LOWER LOADING ASSEMBLY

### DISCHARGE


RECOMMENDED PRE-CHARGE IS 70% OF DISCHARGE OPERATING PRESSURE UP TO THE MAXIMUM CHARGE PRESSURE OF THE CARTRIDGE, WHICHEVER IS LESS. (AS SHOWN ON THE STABILIZER CASE LABEL OR PRESSURE TAG ON TOP OF CARTRIDGE)

(YOU MAY FIND IT NECESSARY TO DECREASE THE PRESSURE IN THE DISCHARGE CARTRIDGE TO ACHIEVE OPTIMUM PUMP PERFORMANCE.)

(F) BLEEDER VALVE SHOULD BE CLOSED TIGHTLY BEFORE CHARGING & REMAIN CLOSED DURING CHARGING & OPERATION.



1. Shut down pump and relieve line pressure using appropriate safety and fluid management actions.
2. Open bleeder valve 'A'. Take appropriate action to manage fluid that will come out.
3. To charge bladder, open valve (E) three turns.
4. Remove cap from loading valve 'C' and attach charging hose.
5. Loosen 5/8" safety nut 'D' three full turns.
6. Using **NITROGEN ONLY**, charge the cartridge through loading valve 'C'. Recommended charge pressure is 70% of discharge operating pressure up to the maximum charge pressure of cartridge. **NOTE: DO NOT EXCEED MAXIMUM CARTRIDGE CHARGE PRESSURE (ON CASE LABEL OR CARTRIDGE PRESSURE TAG)**
7. Tighten safety nut 'D' on loading valve 'C' remove hose and replace cap. **WARNING: FAILURE TO RETIGHTEN THE SAFETY NUT SNUGGLY, WILL RESULT IN NITROGEN LEAKING OUT OF THE CARTRIDGE; LEADING TO IMPROPER PERFORMANCE & CARTRIDGE FAILURE.**
8. Replace loading valve protector cap 'B'.
9. Open pump suction valve. When air from bleeder valve 'A' is evacuated, close bleeder valve 'A'. Take appropriate action to manage fluid that will come out.

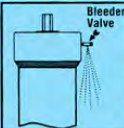


**Status Flow**  
A Division of Performance Pulsation Control

STABILIZER MODEL #	CARTRIDGE MODEL #
STABILIZER SERIAL #	CARTRIDGE SERIAL #
MAX. OPERATING PSI	MAX. CHARGE PSI
REFERENCE #	REFERENCE #

**WARNING:**

1. Relieve pump pressure before removing cartridge.
2. Use **NITROGEN ONLY** to charge cartridges.
3. Do not attempt to charge cartridge prior to mounting stabilizer.
4. Do not exceed maximum charge pressure of cartridge. (See instructions)
5. Failure to follow warning is dangerous and can result in property damage and/or serious bodily injury.



\* Vent system air or gases from stabilizer case with bleeder valve before removing cartridge.

STATUS FLOW

A DIVISION OF PERFORMANCE PULSATION CONTROL INC.  
723 W. 1st STREET  
ODESSA, TX 79763  
PH. (432) 580-3017 \* FAX (432) 332-3035

**! WARNING !**

**CHARGE WITH NITROGEN ONLY  
DO NOT EXCEED MAXIMUM CHARGE PRESSURE LISTED ON LABEL**

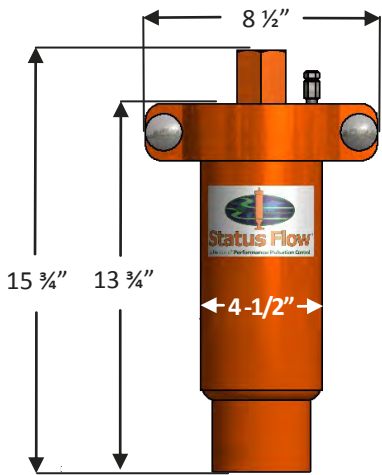
# "MINI" GROOVED 4" TOP MODELS 50 CUBIC INCH

**FPC** PERFORMANCE  
PULSATION CONTROL  
Status Flow™



**MINI 50**

STATUS FLOW  
**SFV-MODEL**  
**MINI 50™**  
**50 CUBIC INCH**  
**GAS CAPACITY**  
**GROOVED TOP**



**SFV-1500 SERIES**

MODEL	HEIGHT A (inches)	HEIGHT B (inches)	WEIGHT	MAWP (psi)	MOUNTING CONNECTION	CARTRIDGE	MAX CHARGE (nitrogen)
SFV-1502-TC-50	16	14	37	150	2"-FNPT	SFV-92	100 (psi gas)

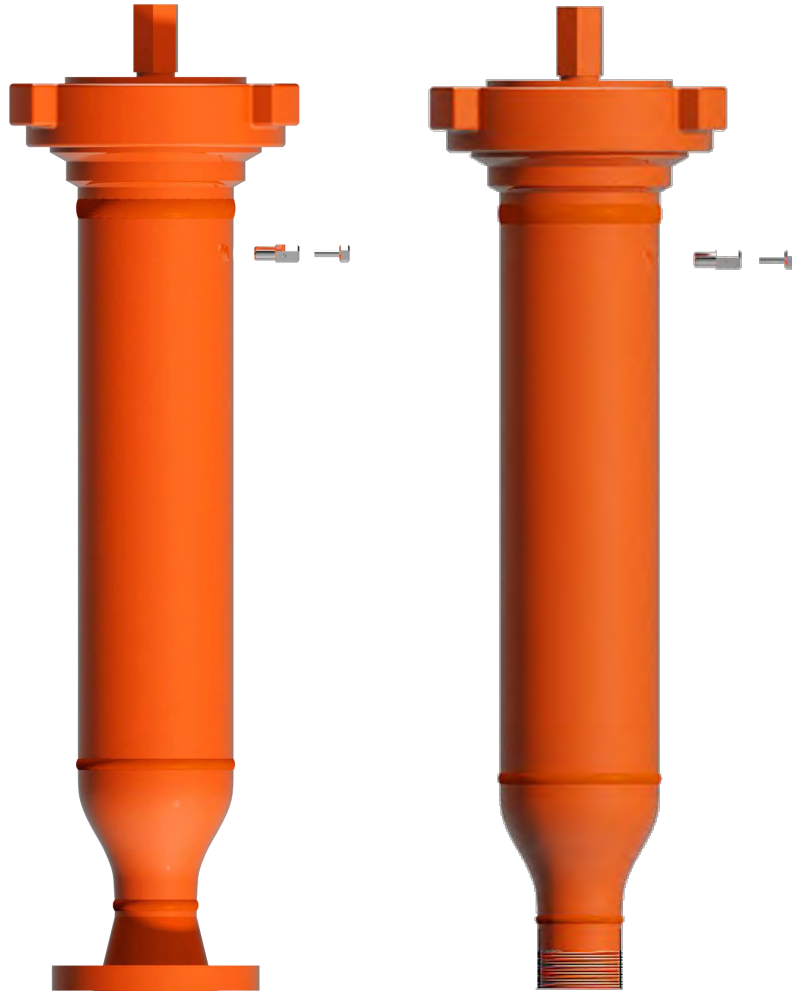
**SFV-4500 SERIES**

MODEL	HEIGHT A (inches)	HEIGHT B (inches)	WEIGHT	MAWP (psi)	MOUNTING CONNECTION	CARTRIDGE	MAX CHARGE (nitrogen)
SFV-4502-TC-50	16	14	37	450	2"-FNPT	SFV-96	300 (psi gas)

*\*other connection options available upon request\**

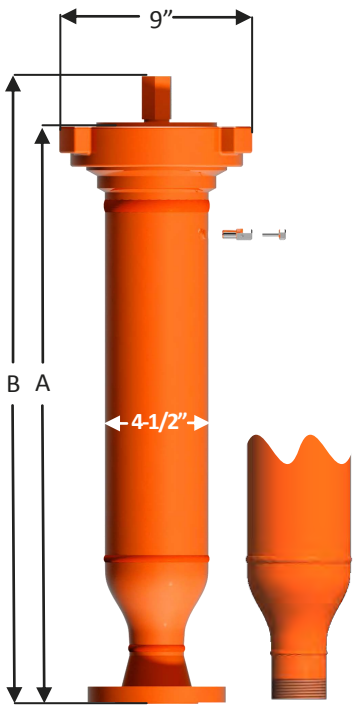
★ *Dimensions and weights are for reference only. Manufacturer tolerances may cause dimensions to vary slightly. Engineered drawings can be provided upon request.*

**UNION TOP MODELS  
100 CUBIC INCH**



**SFU-MODELS**

STATUS FLOW  
SFU-MODEL  
100 CUBIC INCH  
GAS CAPACITY  
UNION TOP



★ Dimensions and weights are for reference only. Manufacturer tolerances may cause dimensions to vary slightly. Engineered drawings can be provided upon request.

SFU-1500 SERIES

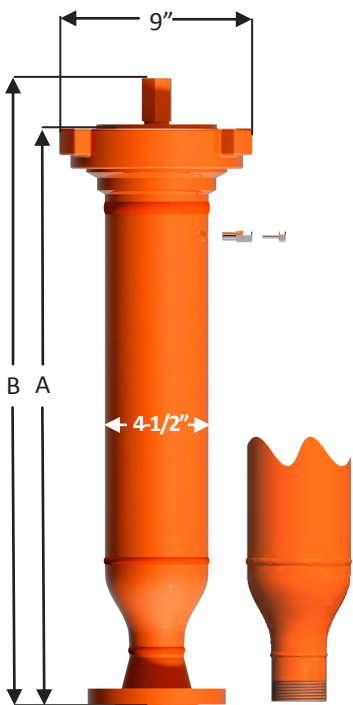
MODEL	HEIGHT A (inches)	HEIGHT B (inches)	WEIGHT	MAWP (psi)	MOUNTING CONNECTION	CARTRIDGE	MAX CHARGE (nitrogen)
SFU-1501-F-100	26	28	60	150	1"-150 RF ANSI	SFU-182	100 (psi gas)
SFU-1501.5-F-100	26	28	61	150	1.5"-150 RF ANSI	SFU-182	100 (psi gas)
SFU-1502-F-100	26	28	63	150	2"-150 RF ANSI	SFU-182	100 (psi gas)
SFU-1502.5-F-100	26	28	67	150	2.5"-150 RF ANSI	SFU-182	100 (psi gas)
SFU-1503-F-100	26	28	69	150	3"-150 RF ANSI	SFU-182	100 (psi gas)
SFU-1501-T-100	25	27	58	150	1" XH NPT	SFU-182	100 (psi gas)
SFU-1501.5-T-100	25	27	58	150	1.5" XH NPT	SFU-182	100 (psi gas)
SFU-1502-T-100	26	28	58	150	2" XH NPT	SFU-182	100 (psi gas)
SFU-1502.5-T-100	26	28	58	150	2.5" XH NPT	SFU-182	100 (psi gas)
SFU-1503-T-100	26	28	59	150	3" XH NPT	SFU-182	100 (psi gas)

SFU-4500 SERIES

MODEL	HEIGHT A (inches)	HEIGHT B (inches)	WEIGHT	MAWP (psi)	MOUNTING CONNECTION	CARTRIDGE	MAX CHARGE (nitrogen)
SFU-4501-F-100	26	28	61	450	1"-300 RF ANSI	SFU-186	500 (psi gas)
SFU-4501.5-F-100	26	28	64	450	1.5"-300 RF ANSI	SFU-186	500 (psi gas)
SFU-4502-F-100	26	28	65	450	2"-300 RF ANSI	SFU-186	500 (psi gas)
SFU-4502.5-F-100	27	29	69	450	2.5"-300 RF ANSI	SFU-186	500 (psi gas)
SFU-4503-F-100	27	29	73	450	3"-300 RF ANSI	SFU-186	500 (psi gas)
SFU-4501-T-100	25	27	58	450	1" XH NPT	SFU-186	500 (psi gas)
SFU-4501.5-T-100	25	27	58	450	1.5" XH NPT	SFU-186	500 (psi gas)
SFU-4502-T-100	26	28	58	450	2" XH NPT	SFU-186	500 (psi gas)
SFU-4502.5-T-100	26	28	58	450	2.5" XH NPT	SFU-186	500 (psi gas)
SFU-4503-T-100	26	28	59	450	3" XH NPT	SFU-186	500 (psi gas)

## SFU-7000 SERIES

STATUS FLOW  
SFU-MODEL  
100 CUBIC INCH  
GAS CAPACITY  
UNION TOP



MODEL	HEIGHT A (inches)	HEIGHT B (inches)	WEIGHT	MAWP (psi)	MOUNTING CONNECTION	CARTRIDGE	MAX CHARGE (nitrogen)
SFU-7001-F-100	26	28	61	700	1"-300 RF ANSI	SFU-186	500 (psi gas)
SFU-7001.5-F-100	26	28	64	700	1.5"-300 RF ANSI	SFU-186	500 (psi gas)
SFU-7002-F-100	26	28	65	700	2"-300 RF ANSI	SFU-186	500 (psi gas)
SFU-7002.5-F-100	27	29	69	700	2.5"-300 RF ANSI	SFU-186	500 (psi gas)
SFU-7003-F-100	27	29	73	700	3"-300 RF ANSI	SFU-186	500 (psi gas)
SFU-7001-T-100	25	27	58	700	1" XH NPT	SFU-186	500 (psi gas)
SFU-7001.5-T-100	25	27	58	700	1.5" XH NPT	SFU-186	500 (psi gas)
SFU-7002-T-100	26	28	58	700	2" XH NPT	SFU-186	500 (psi gas)
SFU-7002.5-T-100	26	28	58	700	2.5" XH NPT	SFU-186	500 (psi gas)
SFU-7003-T-100	26	28	59	700	3" XH NPT	SFU-186	500 (psi gas)

## SFU-14400 SERIES

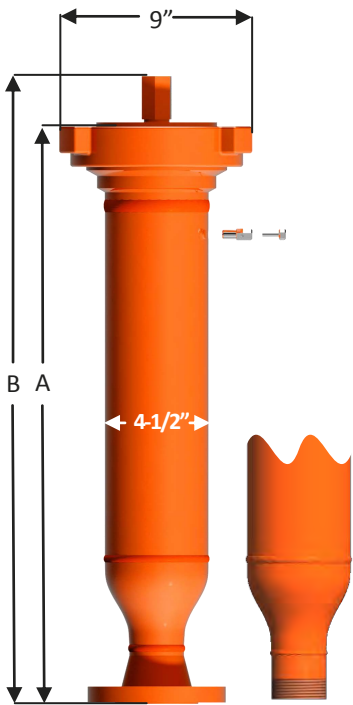
MODEL	HEIGHT A (inches)	HEIGHT B (inches)	WEIGHT	MAWP (psi)	MOUNTING CONNECTION	CARTRIDGE	MAX CHARGE (nitrogen)
SFU-14401-F-100	26	28	61	1440	1"-600 RF ANSI	SFU-186	500 (psi gas)
SFU-14401.5-F-100	27	29	65	1440	1.5"-600 RF ANSI	SFU-186	500 (psi gas)
SFU-14402-F-100	27	29	67	1440	2"-600 RF ANSI	SFU-186	500 (psi gas)
SFU-14402.5-F-100	27	29	71	1440	2.5"-600 RF ANSI	SFU-186	500 (psi gas)
SFU-14403-F-100	27	29	75	1440	3"-600 RF ANSI	SFU-186	500 (psi gas)
SFU-14401-T-100	25	27	58	1440	1" XH NPT	SFU-186	500 (psi gas)
SFU-14401.5-T-100	25	27	58	1440	1.5" XH NPT	SFU-186	500 (psi gas)
SFU-14402-T-100	26	28	58	1440	2" XH NPT	SFU-186	500 (psi gas)
SFU-14402.5-T-100	26	28	58	1440	2.5" XH NPT	SFU-186	500 (psi gas)
SFU-14403-T-100	26	28	59	1440	3" XH NPT	SFU-186	500 (psi gas)

★ Dimensions and weights are for reference only. Manufacturer tolerances may cause dimensions to vary slightly. Engineered drawings can be provided upon request.



## SFU-21000 SERIES

STATUS FLOW  
SFU-MODEL  
100 CUBIC INCH  
GAS CAPACITY  
UNION TOP



MODEL	HEIGHT A (inches)	HEIGHT B (inches)	WEIGHT	MAWP (psi)	MOUNTING CONNECTION	CARTRIDGE	MAX CHARGE (nitrogen)
SFU-21001-F-100	27	29	68	2100	1"-900 RF ANSI	SFU-186	500 (psi gas)
SFU-21001.5-F-100	27	29	72	2100	1.5"-900 RF ANSI	SFU-186	500 (psi gas)
SFU-21002-F-100	28	30	74	2100	2"-900 RF ANSI	SFU-186	500 (psi gas)
SFU-21002.5-F-100	28	30	78	2100	2.5"-900 RF ANSI	SFU-186	500 (psi gas)
SFU-21003-F-100	28	30	82	2100	3"-900 RF ANSI	SFU-186	500 (psi gas)
SFU-21001-T-100	25	27	65	2100	1" XH NPT	SFU-186	500 (psi gas)
SFU-21001.5-T-100	25	27	65	2100	1.5" XH NPT	SFU-186	500 (psi gas)
SFU-21002-T-100	26	28	66	2100	2" XH NPT	SFU-186	500 (psi gas)
SFU-21002.5-T-100	26	28	66	2100	2.5" XH NPT	SFU-186	500 (psi gas)
SFU-21003-T-100	26	28	67	2100	3" XH NPT	SFU-186	500 (psi gas)

## SFU-30000 SERIES

MODEL	HEIGHT A (inches)	HEIGHT B (inches)	WEIGHT	MAWP (psi)	MOUNTING CONNECTION	CARTRIDGE	MAX CHARGE (nitrogen)
SFU-30001-F-100	27	29	86	3000	1"-1500 RF	SFU-186	500 (psi gas)
SFU-30001.5-F-100	27	29	91	3000	1.5"-1500 RF	SFU-186	500 (psi gas)
SFU-30002-F-100	28	30	101	3000	2"-1500 RF	SFU-186	500 (psi gas)
SFU-30002.5-F-100	28	30	113	3000	2.5"-1500 RF	SFU-186	500 (psi gas)
SFU-30003-F-100	29	31	125	3000	3"-1500 RF	SFU-186	500 (psi gas)
SFU-30004-F-100	TBD	TBD	TBD	3000	4"-1500 RF	SFU-186	500 (psi gas)
SFU-30001-T-100	25	27	78	3000	1" NPT	SFU-186	500 (psi gas)
SFU-30001.5-T-100	25	27	78	3000	1.5" NPT	SFU-186	500 (psi gas)
SFU-30002-T-100	26	28	79	3000	2" NPT	SFU-186	500 (psi gas)
SFU-30002.5-T-100	26	28	79	3000	2.5" NPT	SFU-186	500 (psi gas)
SFU-30003-T-100	26	28	80	3000	3" NPT	SFU-186	500 (psi gas)
SFU-30004-T-100	TBD	TBD	TBD	3000	4" NPT	SFU-186	500 (psi gas)

★ Dimensions and weights are for reference only. Manufacturer tolerances may cause dimensions to vary slightly. Engineered drawings can be provided upon request.

# GROOVED 6" TOP MODELS 300 & 600 CUBIC INCH



## SFV-MODELS

STATUS FLOW  
SFV-MODEL  
300 CUBIC INCH  
GAS CAPACITY  
GROOVED 6" TOP



★ Dimensions and weights are for reference only. Manufacturer tolerances may cause dimensions to vary slightly. Engineered drawings can be provided upon request.

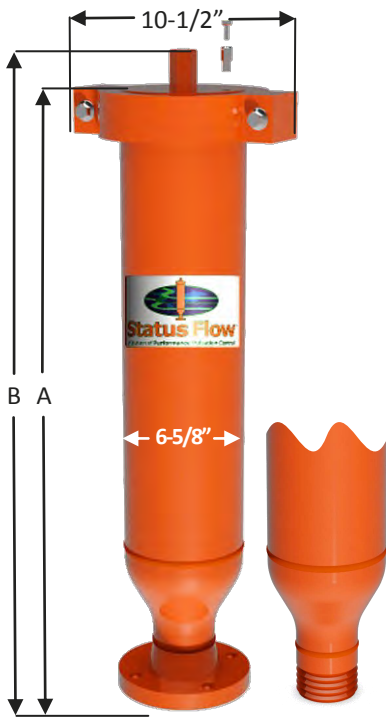
### SFV-1500 SERIES

MODEL	HEIGHT A (inches)	HEIGHT B (inches)	WEIGHT	MAWP (psi)	MOUNTING CONNECTION	CARTRIDGE	MAX CHARGE (nitrogen)
SFV-1502-F-300	34	36	87	150	2"-150 RF ANSI	SFV-242	100 (psi gas)
SFV-1503-F-300	34	36	93	150	3"-150 RF ANSI	SFV-242	100 (psi gas)
SFV-1504-F-300	34	36	97	150	4"-150 RF ANSI	SFV-242	100 (psi gas)
SFV-1506-F-300	34	36	105	150	6"-150 RF ANSI	SFV-242	100 (psi gas)
SFV-1508-F-300	36	38	128	150	8"-150 RF ANSI	SFV-242	100 (psi gas)
SFV-1502-T-300	33	35	82	150	2" XH NPT	SFV-242	100 (psi gas)
SFV-1503-T-300	34	36	83	150	3" XH NPT	SFV-242	100 (psi gas)
SFV-1504-T-300	34	36	84	150	4" XH NPT	SFV-242	100 (psi gas)
SFV-1506-T-300	34	36	86	150	6" XH NPT	SFV-242	100 (psi gas)
SFV-1508-T-300	35	37	93	150	8" XH NPT	SFV-242	100 (psi gas)

### SFV-4500 SERIES

MODEL	HEIGHT A (inches)	HEIGHT B (inches)	WEIGHT	MAWP (psi)	MOUNTING CONNECTION	CARTRIDGE	MAX CHARGE (nitrogen)
SFV-4502-F-300	34	36	94	450	2"-300 RF ANSI	SFV-244	300 (psi gas)
SFV-4503-F-300	34	36	102	450	3"-300 RF ANSI	SFV-244	300 (psi gas)
SFV-4504-F-300	34	36	111	450	4"-300 RF ANSI	SFV-244	300 (psi gas)
SFV-4506-F-300	34	36	131	450	6"-300 RF ANSI	SFV-244	300 (psi gas)
SFV-4508-F-300	36	38	156	450	8"-300 RF ANSI	SFV-244	300 (psi gas)
SFV-4502-T-300	33	35	87	450	2" XH NPT	SFV-244	300 (psi gas)
SFV-4503-T-300	34	36	88	450	3" XH NPT	SFV-244	300 (psi gas)
SFV-4504-T-300	34	36	89	450	4" XH NPT	SFV-244	300 (psi gas)
SFV-4506-T-300	34	36	91	450	6" XH NPT	SFV-244	300 (psi gas)
SFV-4508-T-300	35	37	93	450	8" XH NPT	SFV-244	300 (psi gas)

STATUS FLOW  
SFV-MODEL  
600 CUBIC INCH  
GAS CAPACITY  
GROOVED 6" TOP



★ Dimensions and weights are for reference only. Manufacturer tolerances may cause dimensions to vary slightly. Engineered drawings can be provided upon request.

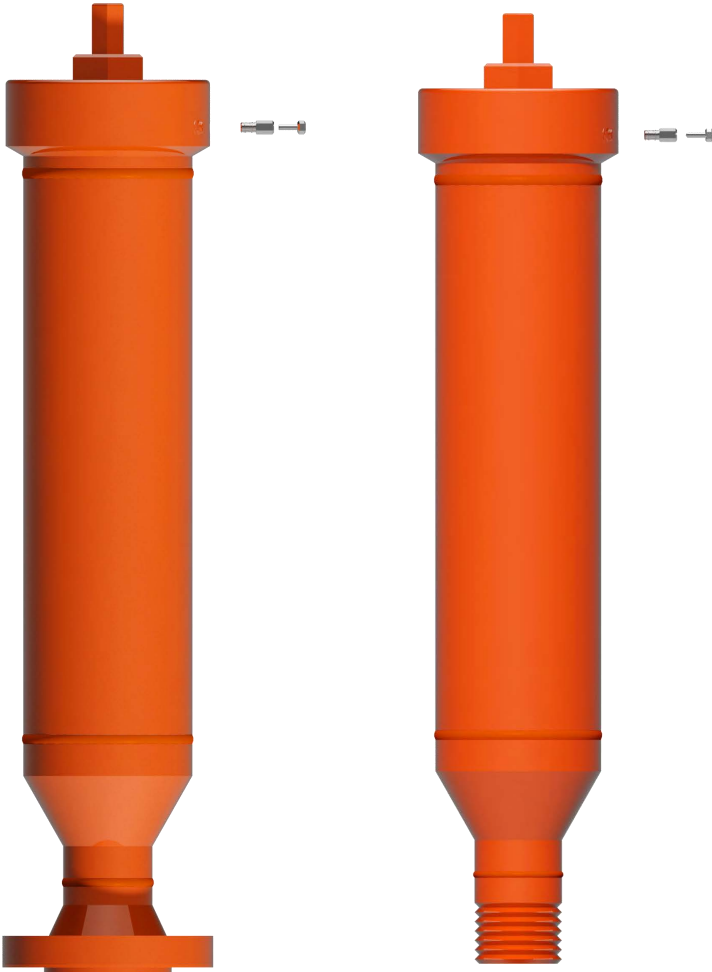
## SFV-1500 SERIES

MODEL	HEIGHT A (inches)	HEIGHT B (inches)	WEIGHT	MAWP (psi)	MOUNTING CONNECTION	CARTRIDGE	MAX CHARGE (nitrogen)
SFV-1502-F-600	60	62	125	150	2"-150 RF ANSI	SFV-482	100 (psi gas)
SFV-1503-F-600	60	62	131	150	3"-150 RF ANSI	SFV-482	100 (psi gas)
SFV-1504-F-600	60	62	135	150	4"-150 RF ANSI	SFV-482	100 (psi gas)
SFV-1506-F-600	60	62	143	150	6"-150 RF ANSI	SFV-482	100 (psi gas)
SFV-1508-F-600	60	62	166	150	8"-150 RF ANSI	SFV-482	100 (psi gas)
SFV-1502-T-600	59	61	120	150	2" XH NPT	SFV-482	100 (psi gas)
SFV-1503-T-600	60	62	121	150	3" XH NPT	SFV-482	100 (psi gas)
SFV-1504-T-600	60	62	122	150	4" XH NPT	SFV-482	100 (psi gas)
SFV-1506-T-600	60	62	124	150	6" XH NPT	SFV-482	100 (psi gas)
SFV-1508-T-600	59	61	131	150	8" XH NPT	SFV-482	100 (psi gas)

## SFV-4500 SERIES

MODEL	HEIGHT A (inches)	HEIGHT B (inches)	WEIGHT	MAWP (psi)	MOUNTING CONNECTION	CARTRIDGE	MAX CHARGE (nitrogen)
SFV-4502-F-600	58	60	132	450	2"-300 RF ANSI	SFV-484	300 (psi gas)
SFV-4503-F-600	58	60	140	450	3"-300 RF ANSI	SFV-484	300 (psi gas)
SFV-4504-F-600	58	60	149	450	4"-300 RF ANSI	SFV-484	300 (psi gas)
SFV-4506-F-600	58	60	169	450	6"-300 RF ANSI	SFV-484	300 (psi gas)
SFV-4508-F-600	60	62	194	450	8"-300 RF ANSI	SFV-484	300 (psi gas)
SFV-4502-T-600	57	59	125	450	2" XH NPT	SFV-484	300 (psi gas)
SFV-4503-T-600	58	60	126	450	3" XH NPT	SFV-484	300 (psi gas)
SFV-4504-T-600	58	60	127	450	4" XH NPT	SFV-484	300 (psi gas)
SFV-4506-T-600	58	60	129	450	6" XH NPT	SFV-484	300 (psi gas)
SFV-4508-T-600	59	61	131	450	8" XH NPT	SFV-484	300 (psi gas)

# THREADED TOP MODELS 300 & 600 CUBIC INCH

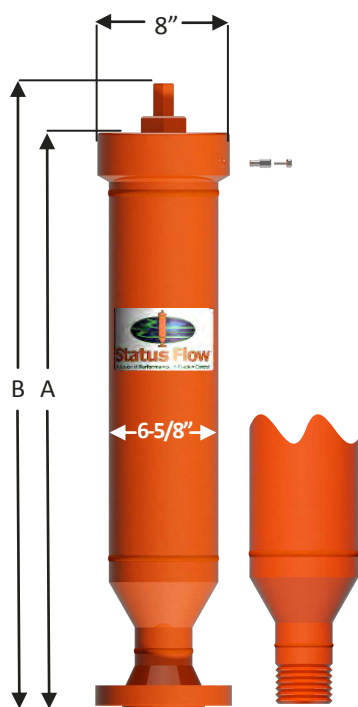


**SFT-MODELS**

## SFT-1500 SERIES

STATUS FLOW  
SFT-MODEL  
300 CUBIC INCH  
GAS CAPACITY  
THREADED TOP

MODEL	HEIGHT A (inches)	HEIGHT B (inches)	WEIGHT	MAWP (psi)	MOUNTING CONNECTION	CARTRIDGE	MAX CHARGE (nitrogen)
SFT-1502-F-300	34	37	91	150	2"-150 RF ANSI	SFT-242	100 (psi gas)
SFT-1503-F-300	34	37	97	150	3"-150 RF ANSI	SFT-242	100 (psi gas)
SFT-1504-F-300	35	38	101	150	4"-150 RF ANSI	SFT-242	100 (psi gas)
SFT-1506-F-300	33	36	106	150	6"-150 RF ANSI	SFT-242	100 (psi gas)
SFT-1508-F-300	36	39	132	150	8"-150 RF ANSI	SFT-242	100 (psi gas)
SFT-1502-T-300	33	36	86	150	2" XH NPT	SFT-242	100 (psi gas)
SFT-1503-T-300	34	37	87	150	3" XH NPT	SFT-242	100 (psi gas)
SFT-1504-T-300	35	38	88	150	4" XH NPT	SFT-242	100 (psi gas)
SFT-1506-T-300	32	35	87	150	6" XH NPT	SFT-242	100 (psi gas)
SFT-1508-T-300	35	38	97	150	8" XH NPT	SFT-242	100 (psi gas)

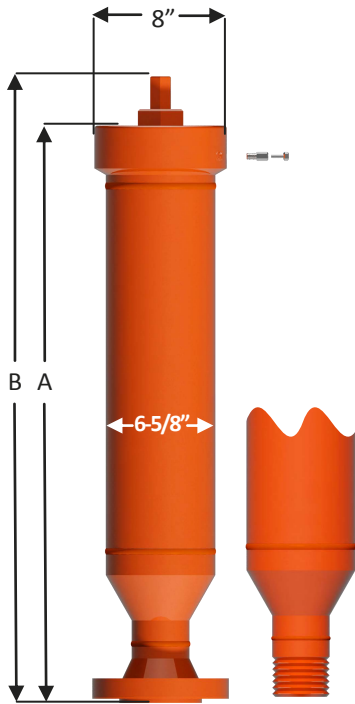


★ Dimensions and weights are for reference only. Manufacturer tolerances may cause dimensions to vary slightly. Engineered drawings can be provided upon request.

## SFT-7000 SERIES

MODEL	HEIGHT A (inches)	HEIGHT B (inches)	WEIGHT	MAWP (psi)	MOUNTING CONNECTION	CARTRIDGE	MAX CHARGE (nitrogen)
SFT-7002-F-300	34	37	98	700	2"-300 RF ANSI	SFT-244	300 (psi gas)
SFT-7003-F-300	35	38	106	700	3"-300 RF ANSI	SFT-244	300 (psi gas)
SFT-7004-F-300	35	38	115	700	4"-300 RF ANSI	SFT-244	300 (psi gas)
SFT-7006-F-300	33	36	132	700	6"-300 RF ANSI	SFT-244	300 (psi gas)
SFT-7008-F-300	36	39	165	700	8"-300 RF ANSI	SFT-244	300 (psi gas)
SFT-7002-T-300	33	36	91	700	2" XH NPT	SFT-244	300 (psi gas)
SFT-7003-T-300	34	37	92	700	3" XH NPT	SFT-244	300 (psi gas)
SFT-7004-T-300	35	38	93	700	4" XH NPT	SFT-244	300 (psi gas)
SFT-7006-T-300	32	35	92	700	6" XH NPT	SFT-244	300 (psi gas)
SFT-7008-T-300	35	38	102	700	8" XH NPT	SFT-244	300 (psi gas)

STATUS FLOW  
SFT-MODEL  
300 CUBIC INCH  
GAS CAPACITY  
THREADED TOP



★ Dimensions and weights are for reference only. Manufacturer tolerances may cause dimensions to vary slightly. Engineered drawings can be provided upon request.

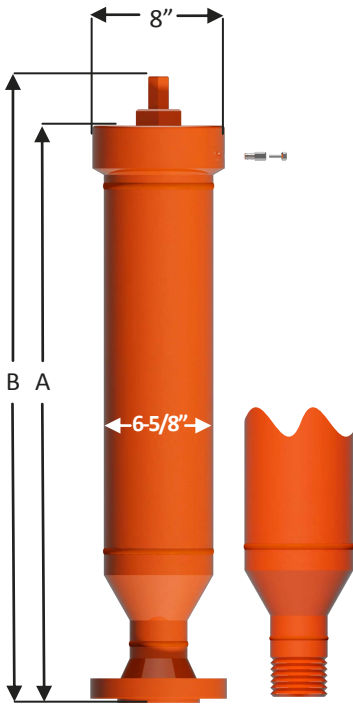
### SFT-14400 SERIES

MODEL	HEIGHT A (inches)	HEIGHT B (inches)	WEIGHT	MAWP (psi)	MOUNTING CONNECTION	CARTRIDGE	MAX CHARGE (nitrogen)
SFT-14402-F-300	35	38	105	1440	2"-600 RF ANSI	SFT-246	500 (psi gas)
SFT-14403-F-300	35	38	113	1440	3"-600 RF ANSI	SFT-246	500 (psi gas)
SFT-14404-F-300	36	39	132	1440	4"-600 RF ANSI	SFT-246	500 (psi gas)
SFT-14406-F-300	34	37	165	1440	6"-600 RF ANSI	SFT-246	500 (psi gas)
SFT-14408-F-300	38	41	212	1440	8"-600 RF ANSI	SFT-246	500 (psi gas)
SFT-14402-T-300	33	36	96	1440	2" XH NPT	SFT-246	500 (psi gas)
SFT-14403-T-300	34	37	97	1440	3" XH NPT	SFT-246	500 (psi gas)
SFT-14404-T-300	35	38	98	1440	4" XH NPT	SFT-246	500 (psi gas)
SFT-14406-T-300	32	35	97	1440	6" XH NPT	SFT-246	500 (psi gas)
SFT-14408-T-300	35	38	107	1440	8" XH NPT	SFT-246	500 (psi gas)

### SFT-21000 SERIES

MODEL	HEIGHT A (inches)	HEIGHT B (inches)	WEIGHT	MAWP (psi)	MOUNTING CONNECTION	CARTRIDGE	MAX CHARGE (nitrogen)
SFT-21002-F-300	36	39	142	2100	2"-900 RF ANSI	SFT-246	500 (psi gas)
SFT-21003-F-300	36	39	147	2100	3"-900 RF ANSI	SFT-246	500 (psi gas)
SFT-21004-F-300	36	39	169	2100	4"-900 RF ANSI	SFT-246	500 (psi gas)
SFT-21006-F-300	35	38	223	2100	6"-900 RF ANSI	SFT-246	500 (psi gas)
SFT-21008-F-300	39	42	313	2100	8"-900 RF ANSI	SFT-246	500 (psi gas)
SFT-21002-T-300	33	36	119	2100	2" XH NPT	SFT-246	500 (psi gas)
SFT-21003-T-300	34	37	120	2100	3" XH NPT	SFT-246	500 (psi gas)
SFT-21004-T-300	35	38	122	2100	4" XH NPT	SFT-246	500 (psi gas)
SFT-21006-T-300	32	35	120	2100	6" XH NPT	SFT-246	500 (psi gas)
SFT-21008-T-300	35	38	137	2100	8" XH NPT	SFT-246	500 (psi gas)

STATUS FLOW  
SFT-MODEL  
300 CUBIC INCH  
GAS CAPACITY  
THREADED TOP



★ Dimensions and weights are for reference only. Manufacturer tolerances may cause dimensions to vary slightly. Engineered drawings can be provided upon request.

### SFT-36000 SERIES

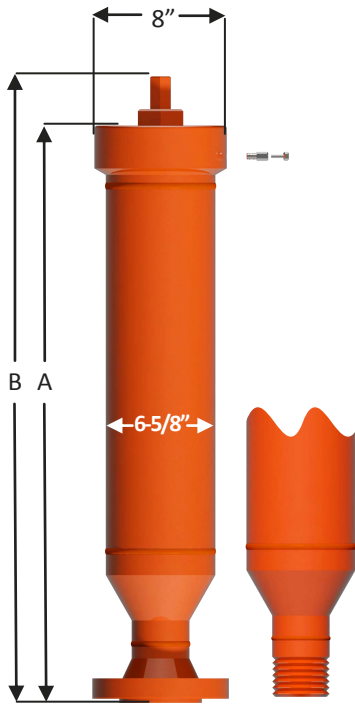
MODEL	HEIGHT A (inches)	HEIGHT B (inches)	WEIGHT	MAWP (psi)	MOUNTING CONNECTION	CARTRIDGE	MAX CHARGE (nitrogen)
SFT-36002-F-300	36	39	163	3600	2"-1500 RF ANSI	SFT-246	500 (psi gas)
SFT-36003-F-300	36	39	187	3600	3"-1500 RF ANSI	SFT-246	500 (psi gas)
SFT-36004-F-300	37	40	208	3600	4"-1500 RF ANSI	SFT-246	500 (psi gas)
SFT-36006-F-300	36	39	294	3600	6"-1500 RF ANSI	SFT-246	500 (psi gas)
SFT-36008-F-300	41	44	424	3600	8"-1500 RF ANSI	SFT-246	500 (psi gas)
SFT-36002-T-300	33	36	141	3600	2" XH NPT	SFT-246	500 (psi gas)
SFT-36003-T-300	34	37	143	3600	3" XH NPT	SFT-246	500 (psi gas)
SFT-36004-T-300	35	38	144	3600	4" XH NPT	SFT-246	500 (psi gas)
SFT-36006-T-300	32	35	139	3600	6" XH NPT	SFT-246	500 (psi gas)
SFT-36008-T-300	35	38	166	3600	8" XH NPT	SFT-246	500 (psi gas)

### SFAT-50000 SERIES

MODEL	HEIGHT A (inches)	HEIGHT B (inches)	WEIGHT	MAWP (psi)	MOUNTING CONNECTION	CARTRIDGE	MAX CHARGE (nitrogen)
SFAT-50002-F-300	37	40	220	5000	2"-2500 RF ANSI	SFAT-246	500 (psi gas)
SFAT-50003-F-300	38	41	290	5000	3"-2500 RF ANSI	SFAT-246	500 (psi gas)
SFAT-50004-F-300	39	42	350	5000	4"-2500 RF ANSI	SFAT-246	500 (psi gas)
SFAT-50006-F-300	40	43	602	5000	6"-2500 RF ANSI	SFAT-246	500 (psi gas)
SFAT-50008-F-300	45	48	783	5000	8"-2500 RF ANSI	SFAT-246	500 (psi gas)
SFAT-50002-T-300	33	36	167	5000	2" XH NPT	SFAT-246	500 (psi gas)
SFAT-50003-T-300	34	37	170	5000	3" XH NPT	SFAT-246	500 (psi gas)
SFAT-50004-T-300	35	38	172	5000	4" XH NPT	SFAT-246	500 (psi gas)
SFAT-50006-T-300	32	35	165	5000	6" XH NPT	SFAT-246	500 (psi gas)
SFAT-50008-T-300	35	38	201	5000	8" XH NPT	SFAT-246	500 (psi gas)



STATUS FLOW  
SFT-MODEL  
600 CUBIC INCH  
GAS CAPACITY  
THREADED TOP



★ Dimensions and weights are for reference only. Manufacturer tolerances may cause dimensions to vary slightly. Engineered drawings can be provided upon request.

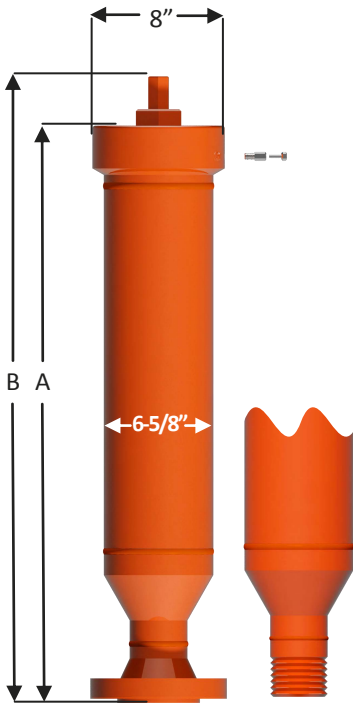
### SFT-1500 SERIES

MODEL	HEIGHT A (inches)	HEIGHT B (inches)	WEIGHT	MAWP (psi)	MOUNTING CONNECTION	CARTRIDGE	MAX CHARGE (nitrogen)
SFT-1502-F-600	58	61	129	150	2"-150 RF ANSI	SFT-482	100 (psi gas)
SFT-1503-F-600	58	61	135	150	3"-150 RF ANSI	SFT-482	100 (psi gas)
SFT-1504-F-600	59	62	139	150	4"-150 RF ANSI	SFT-482	100 (psi gas)
SFT-1506-F-600	57	60	144	150	6"-150 RF ANSI	SFT-482	100 (psi gas)
SFT-1508-F-600	60	63	170	150	8"-150 RF ANSI	SFT-482	100 (psi gas)
SFT-1502-T-600	57	60	124	150	2" XH NPT	SFT-482	100 (psi gas)
SFT-1503-T-600	58	61	125	150	3" XH NPT	SFT-482	100 (psi gas)
SFT-1504-T-600	59	62	126	150	4" XH NPT	SFT-482	100 (psi gas)
SFT-1506-T-600	56	59	125	150	6" XH NPT	SFT-482	100 (psi gas)
SFT-1508-T-600	59	62	135	150	8" XH NPT	SFT-482	100 (psi gas)

### SFT-7000 SERIES

MODEL	HEIGHT A (inches)	HEIGHT B (inches)	WEIGHT	MAWP (psi)	MOUNTING CONNECTION	CARTRIDGE	MAX CHARGE (nitrogen)
SFT-7002-F-600	58	61	136	700	2"-300 RF ANSI	SFT-484	300 (psi gas)
SFT-7003-F-600	59	62	144	700	3"-300 RF ANSI	SFT-484	300 (psi gas)
SFT-7004-F-600	59	62	153	700	4"-300 RF ANSI	SFT-484	300 (psi gas)
SFT-7006-F-600	57	60	170	700	6"-300 RF ANSI	SFT-484	300 (psi gas)
SFT-7008-F-600	60	63	203	700	8"-300 RF ANSI	SFT-484	300 (psi gas)
SFT-7002-T-600	57	60	129	700	2" XH NPT	SFT-484	300 (psi gas)
SFT-7003-T-600	58	61	130	700	3" XH NPT	SFT-484	300 (psi gas)
SFT-7004-T-600	59	62	131	700	4" XH NPT	SFT-484	300 (psi gas)
SFT-7006-T-600	56	59	130	700	6" XH NPT	SFT-484	300 (psi gas)
SFT-7008-T-600	59	62	140	700	8" XH NPT	SFT-484	300 (psi gas)

STATUS FLOW  
SFT-MODEL  
600 CUBIC INCH  
GAS CAPACITY  
THREADED TOP



★ Dimensions and weights are for reference only. Manufacturer tolerances may cause dimensions to vary slightly. Engineered drawings can be provided upon request.

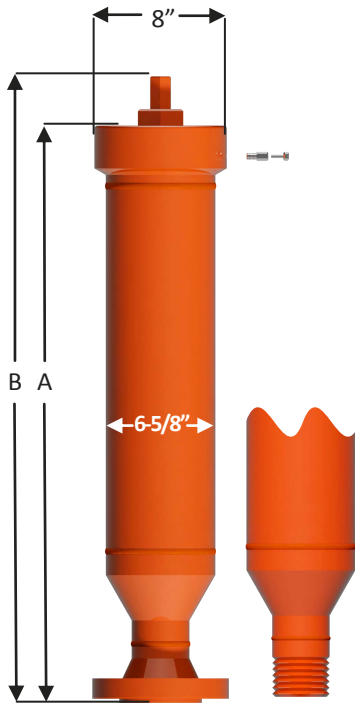
### SFT-14400 SERIES

MODEL	HEIGHT A (inches)	HEIGHT B (inches)	WEIGHT	MAWP (psi)	MOUNTING CONNECTION	CARTRIDGE	MAX CHARGE (nitrogen)
SFT-14402-F-600	59	62	158	1440	2"-600 RF ANSI	SFT-486	500 (psi gas)
SFT-14403-F-600	59	62	166	1440	3"-600 RF ANSI	SFT-486	500 (psi gas)
SFT-14404-F-600	60	63	185	1440	4"-600 RF ANSI	SFT-486	500 (psi gas)
SFT-14406-F-600	58	61	218	1440	6"-600 RF ANSI	SFT-486	500 (psi gas)
SFT-14408-F-600	62	65	265	1440	8"-600 RF ANSI	SFT-486	500 (psi gas)
SFT-14402-T-600	57	60	149	1440	2" XH NPT	SFT-486	500 (psi gas)
SFT-14403-T-600	58	61	150	1440	3" XH NPT	SFT-486	500 (psi gas)
SFT-14404-T-600	59	62	151	1440	4" XH NPT	SFT-486	500 (psi gas)
SFT-14406-T-600	56	59	150	1440	6" XH NPT	SFT-486	500 (psi gas)
SFT-14408-T-600	59	62	160	1440	8" XH NPT	SFT-486	500 (psi gas)

### SFT-21000 SERIES

MODEL	HEIGHT A (inches)	HEIGHT B (inches)	WEIGHT	MAWP (psi)	MOUNTING CONNECTION	CARTRIDGE	MAX CHARGE (nitrogen)
SFT-21002-F-600	60	63	214	2100	2"-900 RF ANSI	SFT-486	500 (psi gas)
SFT-21003-F-600	60	63	241	2100	3"-900 RF ANSI	SFT-486	500 (psi gas)
SFT-21004-F-600	59	62	295	2100	4"-900 RF ANSI	SFT-486	500 (psi gas)
SFT-21006-F-600	59	62	295	2100	6"-900 RF ANSI	SFT-486	500 (psi gas)
SFT-21008-F-600	63	66	385	2100	8"-900 RF ANSI	SFT-486	500 (psi gas)
SFT-21002-T-600	57	60	191	2100	2" XH NPT	SFT-486	500 (psi gas)
SFT-21003-T-600	59	62	194	2100	3" XH NPT	SFT-486	500 (psi gas)
SFT-21004-T-600	56	59	192	2100	4" XH NPT	SFT-486	500 (psi gas)
SFT-21006-T-600	56	59	192	2100	6" XH NPT	SFT-486	500 (psi gas)
SFT-21008-T-600	59	62	209	2100	8" XH NPT	SFT-486	500 (psi gas)

STATUS FLOW  
SFT-MODEL  
600 CUBIC INCH  
GAS CAPACITY  
THREADED TOP



★ Dimensions and weights are for reference only. Manufacturer tolerances may cause dimensions to vary slightly. Engineered drawings can be provided upon request.

### SFT-36000 SERIES

MODEL	HEIGHT A (inches)	HEIGHT B (inches)	WEIGHT	MAWP (psi)	MOUNTING CONNECTION	CARTRIDGE	MAX CHARGE (nitrogen)
SFT-36002-F-600	60	63	251	3600	2"-1500 RF ANSI	SFT-486	500 (psi gas)
SFT-36003-F-600	60	63	275	3600	3"-1500 RF ANSI	SFT-486	500 (psi gas)
SFT-36004-F-600	61	64	296	3600	4"-1500 RF ANSI	SFT-486	500 (psi gas)
SFT-36006-F-600	60	63	382	3600	6"-1500 RF ANSI	SFT-486	500 (psi gas)
SFT-36008-F-600	65	68	512	3600	8"-1500 RF ANSI	SFT-486	500 (psi gas)
SFT-36002-T-600	57	60	229	3600	2" XXH NPT	SFT-486	500 (psi gas)
SFT-36003-T-600	58	61	231	3600	3" XXH NPT	SFT-486	500 (psi gas)
SFT-36004-T-600	59	62	232	3600	4" XXH NPT	SFT-486	500 (psi gas)
SFT-36006-T-600	56	59	227	3600	6" XXH NPT	SFT-486	500 (psi gas)
SFT-36008-T-600	59	62	254	3600	8" XXH NPT	SFT-486	500 (psi gas)

### SFAT-50000 SERIES

MODEL	HEIGHT A (inches)	HEIGHT B (inches)	WEIGHT	MAWP (psi)	MOUNTING CONNECTION	CARTRIDGE	MAX CHARGE (nitrogen)
SFAT-50002-F-600	61	64	325	5000	2"-2500 RF ANSI	SFAT-486	500 (psi gas)
SFAT-50003-F-600	62	65	395	5000	3"-2500 RF ANSI	SFAT-486	500 (psi gas)
SFAT-50004-F-600	63	66	455	5000	4"-2500 RF ANSI	SFAT-486	500 (psi gas)
SFAT-50006-F-600	64	67	707	5000	6"-2500 RF ANSI	SFAT-486	500 (psi gas)
SFAT-50008-F-600	69	72	888	5000	8"-2500 RF ANSI	SFAT-486	500 (psi gas)
SFAT-50002-T-600	57	60	273	5000	2" XXH NPT	SFAT-486	500 (psi gas)
SFAT-50003-T-600	58	61	276	5000	3" XXH NPT	SFAT-486	500 (psi gas)
SFAT-50004-T-600	59	62	277	5000	4" XXH NPT	SFAT-486	500 (psi gas)
SFAT-50006-T-600	56	59	270	5000	6" XXH NPT	SFAT-486	500 (psi gas)
SFAT-50008-T-600	59	62	306	5000	8" XXH NPT	SFAT-486	500 (psi gas)

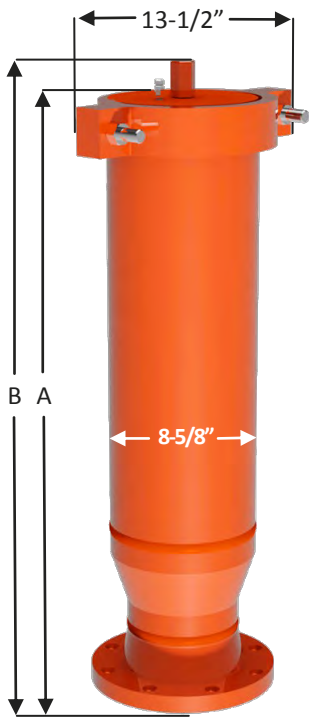
# MAGNUM GROOVED 8" TOP MODELS

## 600, 900 & 1200 CUBIC INCH



**SFVM-MODELS**

STATUS FLOW  
**SFVM-MODEL**  
**600 CUBIC INCH**  
 GAS CAPACITY  
 GROOVED 8" TOP



**SFVM-1500 SERIES**

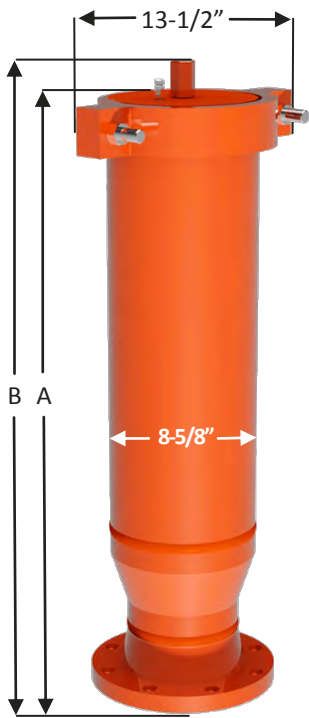
MODEL	HEIGHT A (inches)	HEIGHT B (inches)	WEIGHT	MAWP (psi)	MOUNTING CONNECTION	CARTRIDGE	MAX CHARGE (nitrogen)
SFVM-1503-F-600	34	36	142	150	3"-150 RF ANSI	SFVM-244	125 (psi gas)
SFVM-1504-F-600	35	37	146	150	4"-150 RF ANSI	SFVM-244	125 (psi gas)
SFVM-1506-F-600	35	37	154	150	6"-150 RF ANSI	SFVM-244	125 (psi gas)
SFVM-1508-F-600	35	37	171	150	8"-150 RF ANSI	SFVM-244	125 (psi gas)

**SFVM-4500 SERIES**

MODEL	HEIGHT A (inches)	HEIGHT B (inches)	WEIGHT	MAWP (psi)	MOUNTING CONNECTION	CARTRIDGE	MAX CHARGE (nitrogen)
SFVM-4503-F-600	35	37	146	450	3"-300 RF ANSI	SFVM-244	125 (psi gas)
SFVM-4504-F-600	35	37	155	450	4"-300 RF ANSI	SFVM-244	125 (psi gas)
SFVM-4506-F-600	35	37	175	450	6"-300 RF ANSI	SFVM-244	125 (psi gas)
SFVM-4508-F-600	35	37	199	450	8"-300 RF ANSI	SFVM-244	125 (psi gas)

★ Dimensions and weights are for reference only. Manufacturer tolerances may cause dimensions to vary slightly. Engineered drawings can be provided upon request.

STATUS FLOW  
**SFVM-MODEL**  
**900 CUBIC INCH**  
 GAS CAPACITY  
 GROOVED 8" TOP



**SFVM-1500 SERIES**

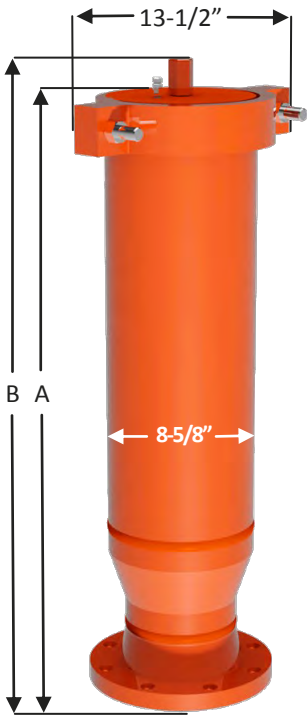
MODEL	HEIGHT A (inches)	HEIGHT B (inches)	WEIGHT	MAWP (psi)	MOUNTING CONNECTION	CARTRIDGE	MAX CHARGE (nitrogen)
SFVM-1503-F-900	46	48	181	150	3"-150 RF ANSI	SFVM-364	125 (psi gas)
SFVM-1504-F-900	47	49	185	150	4"-150 RF ANSI	SFVM-364	125 (psi gas)
SFVM-1506-F-900	47	49	193	150	6"-150 RF ANSI	SFVM-364	125 (psi gas)
SFVM-1508-F-900	47	49	210	150	8"-150 RF ANSI	SFVM-364	125 (psi gas)

**SFVM-4500 SERIES**

MODEL	HEIGHT A (inches)	HEIGHT B (inches)	WEIGHT	MAWP (psi)	MOUNTING CONNECTION	CARTRIDGE	MAX CHARGE (nitrogen)
SFVM-4503-F-900	47	49	185	450	3"-300 RF ANSI	SFVM-364	125 (psi gas)
SFVM-4504-F-900	47	49	194	450	4"-300 RF ANSI	SFVM-364	125 (psi gas)
SFVM-4506-F-900	47	49	214	450	6"-300 RF ANSI	SFVM-364	125 (psi gas)
SFVM-4508-F-900	47	49	238	450	8"-300 RF ANSI	SFVM-364	125 (psi gas)

★ Dimensions and weights are for reference only. Manufacturer tolerances may cause dimensions to vary slightly. Engineered drawings can be provided upon request.

STATUS FLOW  
**SFVM-MODEL**  
**1200 CUBIC INCH**  
 GAS CAPACITY  
 GROOVED 8" TOP



**SFVM-1500 SERIES**

MODEL	HEIGHT A (inches)	HEIGHT B (inches)	WEIGHT	MAWP (psi)	MOUNTING CONNECTION	CARTRIDGE	MAX CHARGE (nitrogen)
SFVM-1503-F-1200	58	60	209	150	3"-150 RF ANSI	SFVM-484	125 (psi gas)
SFVM-1504-F-1200	59	61	214	150	4"-150 RF ANSI	SFVM-484	125 (psi gas)
SFVM-1506-F-1200	59	61	222	150	6"-150 RF ANSI	SFVM-484	125 (psi gas)
SFVM-1508-F-1200	59	61	238	150	8"-150 RF ANSI	SFVM-484	125 (psi gas)

**SFVM-4500 SERIES**

MODEL	HEIGHT A (inches)	HEIGHT B (inches)	WEIGHT	MAWP (psi)	MOUNTING CONNECTION	CARTRIDGE	MAX CHARGE (nitrogen)
SFVM-4503-F-1200	59	61	214	450	3"-300 RF ANSI	SFVM-484	125 (psi gas)
SFVM-4504-F-1200	59	61	223	450	4"-300 RF ANSI	SFVM-484	125 (psi gas)
SFVM-4506-F-1200	59	61	243	450	6"-300 RF ANSI	SFVM-484	125 (psi gas)
SFVM-4508-F-1200	59	61	266	450	8"-300 RF ANSI	SFVM-484	125 (psi gas)

★ Dimensions and weights are for reference only. Manufacturer tolerances may cause dimensions to vary slightly. Engineered drawings can be provided upon request.

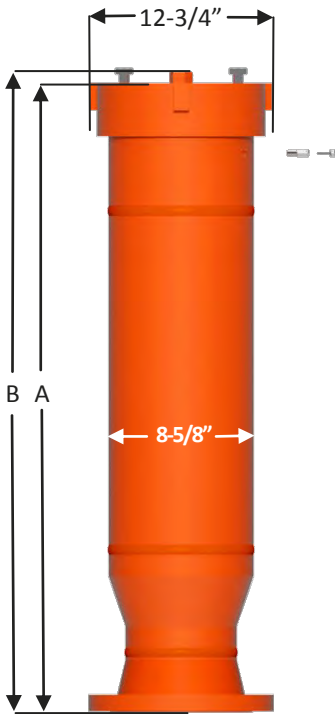
**MAGNUM THREADED TOP MODELS  
600, 900 & 1200 CUBIC INCH**



**SFM-MODELS**



STATUS FLOW  
**SFM-MODEL**  
**600 CUBIC INCH**  
 GAS CAPACITY  
 WING NUT TOP



**SFM-1500 SERIES**

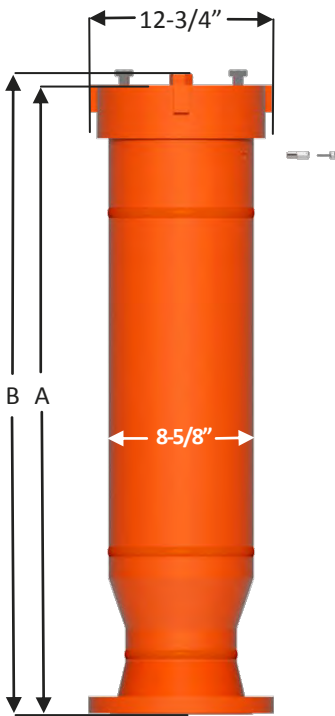
MODEL	HEIGHT A (inches)	HEIGHT B (inches)	WEIGHT	MAWP (psi)	MOUNTING CONNECTION	CARTRIDGE	MAX CHARGE (nitrogen)
SFM-1503-F-600	36	38	186	150	3"-150 RF ANSI	SFM-244	125 (psi gas)
SFM-1504-F-600	36	38	190	150	4"-150 RF ANSI	SFM-244	125 (psi gas)
SFM-1506-F-600	37	39	198	150	6"-150 RF ANSI	SFM-244	125 (psi gas)
SFM-1508-F-600	33	35	208	150	8"-150 RF ANSI	SFM-244	125 (psi gas)

**SFM-4500 SERIES**

MODEL	HEIGHT A (inches)	HEIGHT B (inches)	WEIGHT	MAWP (psi)	MOUNTING CONNECTION	CARTRIDGE	MAX CHARGE (nitrogen)
SFM-4503-F-600	37	39	190	450	3"-300 RF ANSI	SFM-244	125 (psi gas)
SFM-4504-F-600	37	39	199	450	4"-300 RF ANSI	SFM-244	125 (psi gas)
SFM-4506-F-600	37	39	219	450	6"-300 RF ANSI	SFM-244	125 (psi gas)
SFM-4508-F-600	34	36	236	450	8"-300 RF ANSI	SFM-244	125 (psi gas)

★ Dimensions and weights are for reference only. Manufacturer tolerances may cause dimensions to vary slightly. Engineered drawings can be provided upon request.

STATUS FLOW  
**SFM-MODEL**  
**600 CUBIC INCH**  
 GAS CAPACITY  
 WING NUT TOP



**SFM-14400 SERIES**

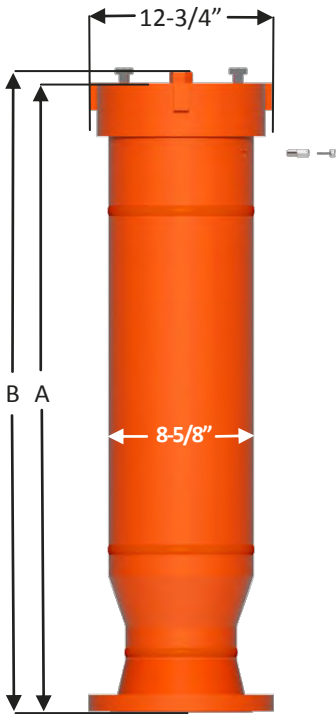
MODEL	HEIGHT A (inches)	HEIGHT B (inches)	WEIGHT	MAWP (psi)	MOUNTING CONNECTION	CARTRIDGE	MAX CHARGE (nitrogen)
SFM-14403-F-600	37	39	241	1440	3"-600 RF ANSI	SFM-246	300 (psi gas)
SFM-14404-F-600	38	40	260	1440	4"-600 RF ANSI	SFM-246	300 (psi gas)
SFM-14406-F-600	38	40	296	1440	6"-600 RF ANSI	SFM-246	300 (psi gas)
SFM-14408-F-600	35	37	323	1440	8"-600 RF ANSI	SFM-246	300 (psi gas)

**SFM-21000 SERIES**

MODEL	HEIGHT A (inches)	HEIGHT B (inches)	WEIGHT	MAWP (psi)	MOUNTING CONNECTION	CARTRIDGE	MAX CHARGE (nitrogen)
SFM-21003-F-600	38	40	274	2100	3"-900 RF ANSI	SFM-246	300 (psi gas)
SFM-21004-F-600	38	40	296	2100	4"-900 RF ANSI	SFM-246	300 (psi gas)
SFM-21006-F-600	39	41	355	2100	6"-900 RF ANSI	SFM-246	300 (psi gas)
SFM-21008-F-600	36	38	416	2100	8"-900 RF ANSI	SFM-246	300 (psi gas)

★ Dimensions and weights are for reference only. Manufacturer tolerances may cause dimensions to vary slightly. Engineered drawings can be provided upon request.

STATUS FLOW  
**SFM-MODEL**  
**900 CUBIC INCH**  
 GAS CAPACITY  
 WING NUT TOP



**SFM-1500 SERIES**

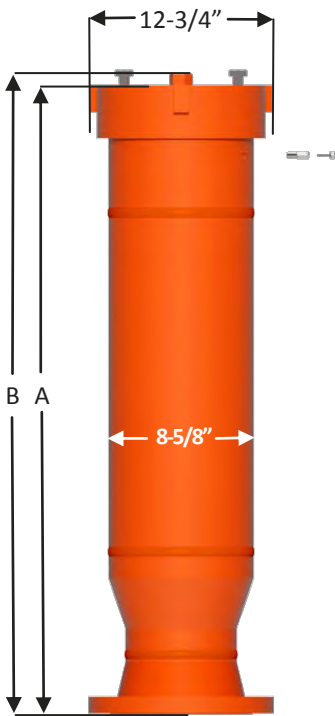
MODEL	HEIGHT A (inches)	HEIGHT B (inches)	WEIGHT	MAWP (psi)	MOUNTING CONNECTION	CARTRIDGE	MAX CHARGE (nitrogen)
SFM-1503-F-900	48	50	214	150	3"-150 RF ANSI	SFM-364	125 (psi gas)
SFM-1504-F-900	48	50	219	150	4"-150 RF ANSI	SFM-364	125 (psi gas)
SFM-1506-F-900	49	51	227	150	6"-150 RF ANSI	SFM-364	125 (psi gas)
SFM-1508-F-900	45	47	236	150	8"-150 RF ANSI	SFM-364	125 (psi gas)

**SFM-4500 SERIES**

MODEL	HEIGHT A (inches)	HEIGHT B (inches)	WEIGHT	MAWP (psi)	MOUNTING CONNECTION	CARTRIDGE	MAX CHARGE (nitrogen)
SFM-4503-F-900	49	51	219	450	3"-300 RF ANSI	SFM-364	125 (psi gas)
SFM-4504-F-900	49	51	228	450	4"-300 RF ANSI	SFM-364	125 (psi gas)
SFM-4506-F-900	49	51	248	450	6"-300 RF ANSI	SFM-364	125 (psi gas)
SFM-4508-F-900	46	48	264	450	8"-300 RF ANSI	SFM-364	125 (psi gas)

★ Dimensions and weights are for reference only. Manufacturer tolerances may cause dimensions to vary slightly. Engineered drawings can be provided upon request.

STATUS FLOW  
**SFM-MODEL**  
**900 CUBIC INCH**  
 GAS CAPACITY  
 WING NUT TOP



**SFM-14400 SERIES**

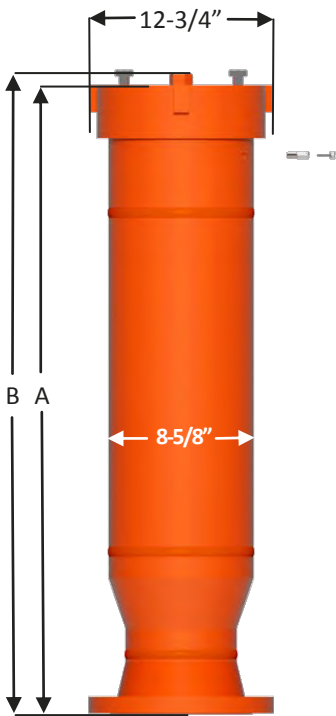
MODEL	HEIGHT A (inches)	HEIGHT B (inches)	WEIGHT	MAWP (psi)	MOUNTING CONNECTION	CARTRIDGE	MAX CHARGE (nitrogen)
SFM-14403-F-900	49	51	284	1440	3"-600 RF ANSI	SFM-366	300 (psi gas)
SFM-14404-F-900	50	52	303	1440	4"-600 RF ANSI	SFM-366	300 (psi gas)
SFM-14406-F-900	50	52	339	1440	6"-600 RF ANSI	SFM-366	300 (psi gas)
SFM-14408-F-900	47	49	367	1440	8"-600 RF ANSI	SFM-366	300 (psi gas)

**SFM-21000 SERIES**

MODEL	HEIGHT A (inches)	HEIGHT B (inches)	WEIGHT	MAWP (psi)	MOUNTING CONNECTION	CARTRIDGE	MAX CHARGE (nitrogen)
SFM-21003-F-900	50	52	325	2100	3"-900 RF ANSI	SFM-366	300 (psi gas)
SFM-21004-F-900	50	52	347	2100	4"-900 RF ANSI	SFM-366	300 (psi gas)
SFM-21006-F-900	51	53	406	2100	6"-900 RF ANSI	SFM-366	300 (psi gas)
SFM-21008-F-900	48	50	467	2100	8"-900 RF ANSI	SFM-366	300 (psi gas)

★ Dimensions and weights are for reference only. Manufacturer tolerances may cause dimensions to vary slightly. Engineered drawings can be provided upon request.

STATUS FLOW  
**SFM-MODEL**  
**1200 CUBIC INCH**  
 GAS CAPACITY  
 WING NUT TOP



**SFM-1500 SERIES**

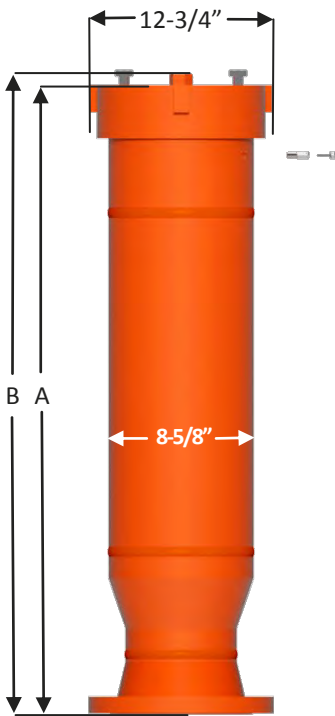
MODEL	HEIGHT A (inches)	HEIGHT B (inches)	WEIGHT	MAWP (psi)	MOUNTING CONNECTION	CARTRIDGE	MAX CHARGE (nitrogen)
SFM-1503-F-1200	60	62	243	150	3"-150 RF ANSI	SFM-484	125 (psi gas)
SFM-1504-F-1200	60	62	247	150	4"-150 RF ANSI	SFM-484	125 (psi gas)
SFM-1506-F-1200	61	63	255	150	6"-150 RF ANSI	SFM-484	125 (psi gas)
SFM-1508-F-1200	57	59	265	150	8"-150 RF ANSI	SFM-484	125 (psi gas)

**SFM-4500 SERIES**

MODEL	HEIGHT A (inches)	HEIGHT B (inches)	WEIGHT	MAWP (psi)	MOUNTING CONNECTION	CARTRIDGE	MAX CHARGE (nitrogen)
SFM-4503-F-1200	61	63	247	450	3"-300 RF ANSI	SFM-484	125 (psi gas)
SFM-4504-F-1200	61	63	256	450	4"-300 RF ANSI	SFM-484	125 (psi gas)
SFM-4506-F-1200	61	63	276	450	6"-300 RF ANSI	SFM-484	125 (psi gas)
SFM-4508-F-1200	58	60	293	450	8"-300 RF ANSI	SFM-484	125 (psi gas)

★ Dimensions and weights are for reference only. Manufacturer tolerances may cause dimensions to vary slightly. Engineered drawings can be provided upon request.

STATUS FLOW  
 SFM-MODEL  
 1200 CUBIC INCH  
 GAS CAPACITY  
 WING NUT TOP



**SFM-14400 SERIES**

MODEL	HEIGHT A (inches)	HEIGHT B (inches)	WEIGHT	MAWP (psi)	MOUNTING CONNECTION	CARTRIDGE	MAX CHARGE (nitrogen)
SFM-14403-F-1200	61	63	328	1440	3"-600 RF ANSI	SFM-486	300 (psi gas)
SFM-14404-F-1200	62	64	347	1440	4"-600 RF ANSI	SFM-486	300 (psi gas)
SFM-14406-F-1200	62	64	383	1440	6"-600 RF ANSI	SFM-486	300 (psi gas)
SFM-14408-F-1200	59	61	410	1440	8"-600 RF ANSI	SFM-486	300 (psi gas)

**SFM-21000 SERIES**

MODEL	HEIGHT A (inches)	HEIGHT B (inches)	WEIGHT	MAWP (psi)	MOUNTING CONNECTION	CARTRIDGE	MAX CHARGE (nitrogen)
SFM-21003-F-1200	62	64	376	2100	3"-900 RF ANSI	SFM-486	300 (psi gas)
SFM-21004-F-1200	62	64	398	2100	4"-900 RF ANSI	SFM-486	300 (psi gas)
SFM-21006-F-1200	63	65	457	2100	6"-900 RF ANSI	SFM-486	300 (psi gas)
SFM-21008-F-1200	60	62	518	2100	8"-900 RF ANSI	SFM-486	300 (psi gas)

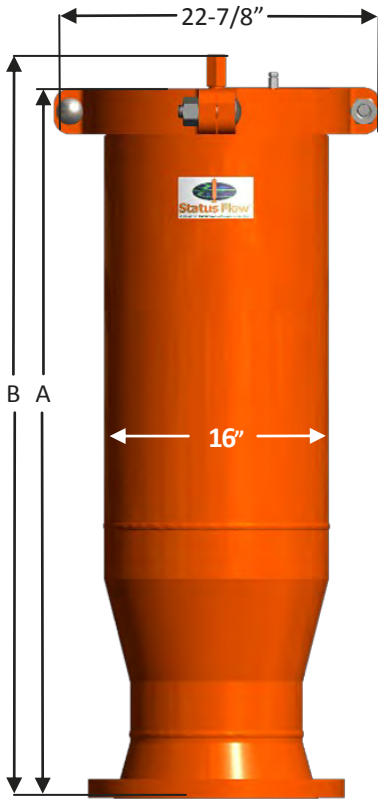
★ Dimensions and weights are for reference only. Manufacturer tolerances may cause dimensions to vary slightly. Engineered drawings can be provided upon request.

**GROOVED 16" TOP MODELS  
2400 & 4800 CUBIC INCH**



**SFG-MODELS**

STATUS FLOW  
**SFG-MODEL**  
**2400 & 4800**  
**CUBIC INCH**  
**GAS CAPACITY**  
**GROOVED 16" TOP**



**SFG-1500 SERIES - 2400 cu.in.**

MODEL	HEIGHT A (inches)	HEIGHT B (inches)	WEIGHT	MAWP (psi)	MOUNTING CONNECTION	CARTRIDGE	MAX CHARGE (nitrogen)
SFG-1506-F-2400	43	45	408	150	6" 150 RF	SFG-246	100 (psi gas)
SFG-1508-F-2400	43	45	425	150	8" 150 RF	SFG-246	100 (psi gas)
SFG-15010-F-2400	43	45	438	150	10" 150 RF	SFG-246	100 (psi gas)
SFG-15012-F-2400	44	46	468	150	12" 150 RF	SFG-246	100 (psi gas)
SFG-15014-F-2400	TBD	TBD	TBD	150	14" 150 RF	SFG-246	100 (psi gas)

**SFG-1500 SERIES - 4800 cu.in.**

MODEL	HEIGHT A (inches)	HEIGHT B (inches)	WEIGHT	MAWP (psi)	MOUNTING CONNECTION	CARTRIDGE	MAX CHARGE (nitrogen)
SFG-1506-F-4800	67	69	518	150	6" 150 RF	SFG-486	100 (psi gas)
SFG-1508-F-4800	67	69	535	150	8" 150 RF	SFG-486	100 (psi gas)
SFG-15010-F-4800	67	69	548	150	10" 150 RF	SFG-486	100 (psi gas)
SFG-15012-F-4800	68	70	578	150	12" 150 RF	SFG-486	100 (psi gas)
SFG-15014-F-4800	TBD	TBD	TBD	150	14" 150 RF	SFG-486	100 (psi gas)

★ Dimensions and weights are for reference only. Manufacturer tolerances may cause dimensions to vary slightly. Engineered drawings can be provided upon request.



# THREADED TOP FLOW THRU MODELS

## 300 & 600 CUBIC INCH

**FPC** PERFORMANCE  
PULSATION CONTROL  
Status Flow™



**FFS-MODELS**

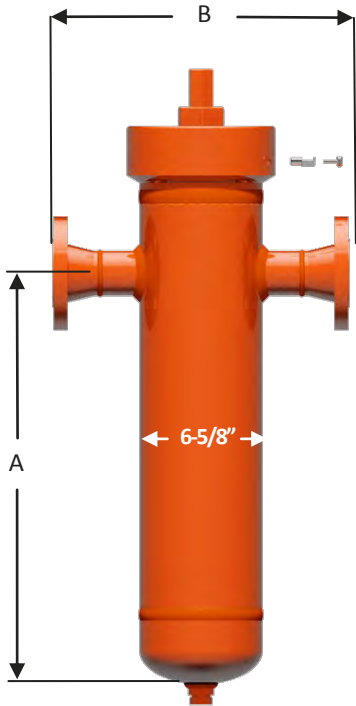
STATUS FLOW  
FFS-MODEL  
(FLOW THRU)  
300 CUBIC INCH  
GAS CAPACITY  
THREADED TOP

### SFT-14400-FFS SERIES

MODEL	HEIGHT A (inches)	WIDTH B (inches)	WEIGHT	MAWP (psi)	MOUNTING CONNECTION	CARTRIDGE	MAX CHARGE (nitrogen)
SFT-14402-FFS-300	25	19	145	1440	2"-600 RF ANSI	SFT-246	500 (psi gas)
SFT-14403-FFS-300	25	21	165	1440	3"- 600 RF ANSI	SFT-246	500 (psi gas)
SFT-14404-FFS-300	25	23	215	1440	4"- 600 RF ANSI	SFT-246	500 (psi gas)

### SFT-21000-FFS SERIES

MODEL	HEIGHT A (inches)	WIDTH B (inches)	WEIGHT	MAWP (psi)	MOUNTING CONNECTION	CARTRIDGE	MAX CHARGE (nitrogen)
SFT-21002-FFS-300	25	23	200	2100	2"-900 RF ANSI	SFT-246	500 (psi gas)
SFT-21003-FFS-300	25	23	215	2100	3"- 900 RF ANSI	SFT-246	500 (psi gas)
SFT-21004-FFS-300	25	26	265	2100	4"- 900 RF ANSI	SFT-246	500 (psi gas)



### SFT-36000-FFS SERIES

MODEL	HEIGHT A (inches)	WIDTH B (inches)	WEIGHT	MAWP (psi)	MOUNTING CONNECTION	CARTRIDGE	MAX CHARGE (nitrogen)
SFT-36002-FFS-300	25	23	215	3600	2"-1500 RF ANSI	SFT-246	500 (psi gas)
SFT-36003-FFS-300	25	27	275	3600	3"- 1500 RF ANSI	SFT-246	500 (psi gas)
SFT-36004-FFS-300	25	29	325	3600	4"- 1500 RF ANSI	SFT-246	500 (psi gas)

### SAFT-50000-FFS SERIES

MODEL	HEIGHT A (inches)	WIDTH B (inches)	WEIGHT	MAWP (psi)	MOUNTING CONNECTION	CARTRIDGE	MAX CHARGE (nitrogen)
SFAT-50002-FFS-300	25	27	310	5000	2"-2500 RF ANSI	SFAT-246	500 (psi gas)
SFAT-50003-FFS-300	25	32	455	5000	3"-2500 RF ANSI	SFAT-246	500 (psi gas)
SFAT-50004-FFS-300	25	35	585	5000	4"-2500 RF ANSI	SFAT-246	500 (psi gas)

★ Dimensions and weights are for reference only. Manufacturer tolerances may cause dimensions to vary slightly. Engineered drawings can be provided upon request.

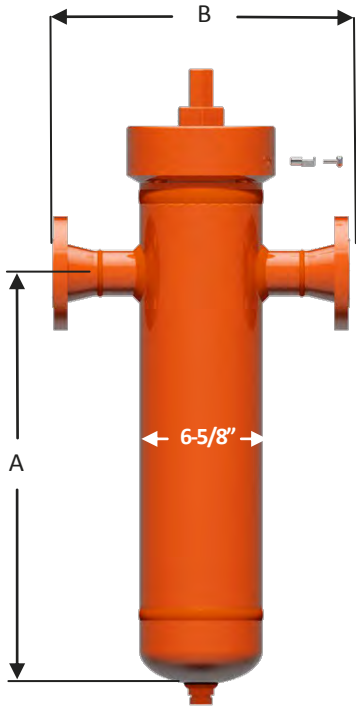
STATUS FLOW  
FFS-MODEL  
(FLOW THRU)  
600 CUBIC INCH  
GAS CAPACITY  
THREADED TOP

### SFT-14400-FFS SERIES

MODEL	HEIGHT A (inches)	WIDTH B (inches)	WEIGHT	MAWP (psi)	MOUNTING CONNECTION	CARTRIDGE	MAX CHARGE (nitrogen)
SFT-14402-FFS-600	49	19	185	1440	2"-600 RF ANSI	SFT-486	500 (psi gas)
SFT-14403-FFS-600	49	21	205	1440	3"- 600 RF ANSI	SFT-486	500 (psi gas)
SFT-14404-FFS-600	49	23	255	1440	4"- 600 RF ANSI	SFT-486	500 (psi gas)

### SFT-21000-FFS SERIES

MODEL	HEIGHT A (inches)	WIDTH B (inches)	WEIGHT	MAWP (psi)	MOUNTING CONNECTION	CARTRIDGE	MAX CHARGE (nitrogen)
SFT-21002-FFS-600	49	23	260	2100	2"-900 RF ANSI	SFT-486	500 (psi gas)
SFT-21003-FFS-600	49	23	275	2100	3"- 900 RF ANSI	SFT-486	500 (psi gas)
SFT-21004-FFS-600	49	26	325	2100	4"- 900 RF ANSI	SFT-486	500 (psi gas)



### SFT-36000-FFS SERIES

MODEL	HEIGHT A (inches)	WIDTH B (inches)	WEIGHT	MAWP (psi)	MOUNTING CONNECTION	CARTRIDGE	MAX CHARGE (nitrogen)
SFT-36002-FFS-600	49	23	290	3600	2"-1500 RF ANSI	SFT-486	500 (psi gas)
SFT-36003-FFS-600	49	27	350	3600	3"- 1500 RF ANSI	SFT-486	500 (psi gas)
SFT-36004-FFS-600	49	29	400	3600	4"- 1500 RF ANSI	SFT-486	500 (psi gas)

### SFAT-50000-FFS SERIES

MODEL	HEIGHT A (inches)	WIDTH B (inches)	WEIGHT	MAWP (psi)	MOUNTING CONNECTION	CARTRIDGE	MAX CHARGE (nitrogen)
SFAT-50002-FFS-600	49	27	4100	5000	2"-2500 RF ANSI	SFAT-486	500 (psi gas)
SFAT-50003-FFS-600	49	32	545	5000	3"-2500 RF ANSI	SFAT-486	500 (psi gas)
SFAT-50004-FFS-600	49	35	675	5000	4"-2500 RF ANSI	SFAT-486	500 (psi gas)

★ Dimensions and weights are for reference only. Manufacturer tolerances may cause dimensions to vary slightly. Engineered drawings can be provided upon request.

# STATUS FLOW LIMITED WARRANTY PULSATION STABILIZER EQUIPMENT

**Status Flow** warrants that its stabilizers are free from defects in material and workmanship for a period of twelve (12) months from the date of installation or eighteen (18) months from shipment date, whichever expires first.

**Status Flow** warrants that its stabilizer cartridges (excluding TFE sleeved) are free from defects in material and workmanship for a period of six (6) months from installation or twelve (12) months from the date of manufacture, whichever expires first. TFE sleeved cartridges are guaranteed free from defects in materials or workmanship for a period of three (3) months from date of installation or twelve (12) months from date of manufacture, whichever expires first.

During the warranty period should Status Flow determine the components failed while under normal conditions and proper use, and provided the products have been properly stored, installed, and maintained, Status Flow, Inc. shall correct such defective components at its discretion either by repair or replacement.

**Labor, Etc. Costs:** Status Flow shall IN NO EVENT be responsible or liable for the cost of field labor or other charges incurred by any customer in removing and/or reaffixing Status Flow product, part or component thereof.

**Warranty Exclusions:** (a) defects or malfunctions resulting from failure to properly install, operate or maintain the unit in accordance with printed instructions provided; (b) failures resulting from abuse, accident or negligence; (c) normal maintenance services and the parts used in connection with such service; (d) units which are not installed in accordance with applicable local codes, ordinances and good trade practices; or (e) if the unit is moved from its original installation location and (f) unit is used for purposes other than for what it was designed and manufactured.

**Return or Replaced Components:** any item to be replaced under this Warranty must be returned to Status Flow in Odessa, Texas, or such place as Status Flow may designate, freight prepaid.

**Product Improvements:** Status Flow reserves the right to change or improve its products or any portions thereof without being obligated to provide such a change or improvement for units sold and/or shipped prior to such a change or improvement.

**Liability Limitation:** In no event shall Status Flow be liable or responsible for special, incidental, or consequential damages, including but not limited to loss of anticipated profits or revenue, loss of use of the equipment, claims of customers of the purchaser, or any such related claims or loss. Status Flow liability on any claim shall in no case exceed the purchase price allocable to the products or components which give rise to the claim.

For more information about Status Flow pulsation stabilizers contact



723 West 1st Street • Odessa, TX 79761 • 432.580.3017

# NOTES



723 West 1st Street • Odessa, TX 79761 • 432.580.3017

# NOTES



723 West 1st Street • Odessa, TX 79761 • 432.580.3017

# PULSATION EQUIPMENT CATALOG



**723 West 1st Street • Odessa, TX 79761**  
**432.580.3017**

**FPC** **PERFORMANCE**  
**PULSATION CONTROL**  
Status Flow™

