



THREADED TOP FLOW THRU MODELS - 300 & 600 CUBIC INCH



FFS-MODELS

STATUS FLOW
FFS-MODEL
(FLOW THRU)
300 CUBIC INCH
GAS CAPACITY
THREADED TOP

SFT-14400-FFS SERIES

| MODEL | HEIGHT A (inches) | WIDTH B (inches) | WEIGHT | MAWP (psi) | MOUNTING CONNECTION | CARTRIDGE | MAX CHARGE (nitrogen) |
|-------------------|-------------------|------------------|--------|------------|---------------------|-----------|-----------------------|
| SFT-14402-FFS-300 | 25 | 19 | 145 | 1440 | 2"-600 RF ANSI | SFT-246 | 500 (psi gas) |
| SFT-14403-FFS-300 | 25 | 21 | 165 | 1440 | 3"- 600 RF ANSI | SFT-246 | 500 (psi gas) |
| SFT-14404-FFS-300 | 25 | 23 | 215 | 1440 | 4"- 600 RF ANSI | SFT-246 | 500 (psi gas) |

SFT-21000-FFS SERIES

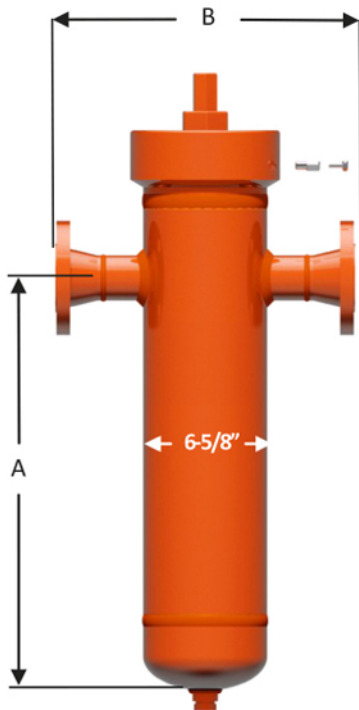
| MODEL | HEIGHT A (inches) | WIDTH B (inches) | WEIGHT | MAWP (psi) | MOUNTING CONNECTION | CARTRIDGE | MAX CHARGE (nitrogen) |
|-------------------|-------------------|------------------|--------|------------|---------------------|-----------|-----------------------|
| SFT-21002-FFS-300 | 25 | 23 | 200 | 2100 | 2"-900 RF ANSI | SFT-246 | 500 (psi gas) |
| SFT-21003-FFS-300 | 25 | 23 | 215 | 2100 | 3"- 900 RF ANSI | SFT-246 | 500 (psi gas) |
| SFT-21004-FFS-300 | 25 | 26 | 265 | 2100 | 4"- 900 RF ANSI | SFT-246 | 500 (psi gas) |

SFT-36000-FFS SERIES

| MODEL | HEIGHT A (inches) | WIDTH B (inches) | WEIGHT | MAWP (psi) | MOUNTING CONNECTION | CARTRIDGE | MAX CHARGE (nitrogen) |
|-------------------|-------------------|------------------|--------|------------|---------------------|-----------|-----------------------|
| SFT-36002-FFS-300 | 25 | 23 | 215 | 3600 | 2"-1500 RF ANSI | SFT-246 | 500 (psi gas) |
| SFT-36003-FFS-300 | 25 | 27 | 275 | 3600 | 3"- 1500 RF ANSI | SFT-246 | 500 (psi gas) |
| SFT-36004-FFS-300 | 25 | 29 | 325 | 3600 | 4"- 1500 RF ANSI | SFT-246 | 500 (psi gas) |

SAFT-50000-FFS SERIES

| MODEL | HEIGHT A (inches) | WIDTH B (inches) | WEIGHT | MAWP (psi) | MOUNTING CONNECTION | CARTRIDGE | MAX CHARGE (nitrogen) |
|--------------------|-------------------|------------------|--------|------------|---------------------|-----------|-----------------------|
| SFAT-50002-FFS-300 | 25 | 27 | 310 | 5000 | 2"-2500 RF ANSI | SFAT-246 | 500 (psi gas) |
| SFAT-50003-FFS-300 | 25 | 32 | 455 | 5000 | 3"-2500 RF ANSI | SFAT-246 | 500 (psi gas) |
| SFAT-50004-FFS-300 | 25 | 35 | 585 | 5000 | 4"-2500 RF ANSI | SFAT-246 | 500 (psi gas) |



★ Dimensions and weights are for reference only. Manufacturer tolerances may cause dimensions to vary slightly. Engineered drawings can be provided upon request.

STATUS FLOW
FFS-MODEL
(FLOW THRU)
600 CUBIC INCH
GAS CAPACITY
THREADED TOP

SFT-14400-FFS SERIES

| MODEL | HEIGHT A (inches) | WIDTH B (inches) | WEIGHT | MAWP (psi) | MOUNTING CONNECTION | CARTRIDGE | MAX CHARGE (nitrogen) |
|-------------------|-------------------|------------------|--------|------------|---------------------|-----------|-----------------------|
| SFT-14402-FFS-600 | 49 | 19 | 185 | 1440 | 2"-600 RF ANSI | SFT-486 | 500 (psi gas) |
| SFT-14403-FFS-600 | 49 | 21 | 205 | 1440 | 3"- 600 RF ANSI | SFT-486 | 500 (psi gas) |
| SFT-14404-FFS-600 | 49 | 23 | 255 | 1440 | 4"- 600 RF ANSI | SFT-486 | 500 (psi gas) |

SFT-21000-FFS SERIES

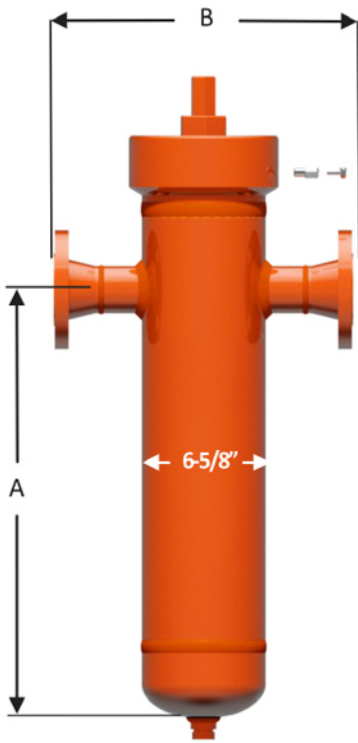
| MODEL | HEIGHT A (inches) | WIDTH B (inches) | WEIGHT | MAWP (psi) | MOUNTING CONNECTION | CARTRIDGE | MAX CHARGE (nitrogen) |
|-------------------|-------------------|------------------|--------|------------|---------------------|-----------|-----------------------|
| SFT-21002-FFS-600 | 49 | 23 | 260 | 2100 | 2"-900 RF ANSI | SFT-486 | 500 (psi gas) |
| SFT-21003-FFS-600 | 49 | 23 | 275 | 2100 | 3"- 900 RF ANSI | SFT-486 | 500 (psi gas) |
| SFT-21004-FFS-600 | 49 | 26 | 325 | 2100 | 4"- 900 RF ANSI | SFT-486 | 500 (psi gas) |

SFT-36000-FFS SERIES

| MODEL | HEIGHT A (inches) | WIDTH B (inches) | WEIGHT | MAWP (psi) | MOUNTING CONNECTION | CARTRIDGE | MAX CHARGE (nitrogen) |
|-------------------|-------------------|------------------|--------|------------|---------------------|-----------|-----------------------|
| SFT-36002-FFS-600 | 49 | 23 | 290 | 3600 | 2"-1500 RF ANSI | SFT-486 | 500 (psi gas) |
| SFT-36003-FFS-600 | 49 | 27 | 350 | 3600 | 3"- 1500 RF ANSI | SFT-486 | 500 (psi gas) |
| SFT-36004-FFS-600 | 49 | 29 | 400 | 3600 | 4"- 1500 RF ANSI | SFT-486 | 500 (psi gas) |

SFAT-50000-FFS SERIES

| MODEL | HEIGHT A (inches) | WIDTH B (inches) | WEIGHT | MAWP (psi) | MOUNTING CONNECTION | CARTRIDGE | MAX CHARGE (nitrogen) |
|--------------------|-------------------|------------------|--------|------------|---------------------|-----------|-----------------------|
| SFAT-50002-FFS-600 | 49 | 27 | 4100 | 5000 | 2"-2500 RF ANSI | SFAT-486 | 500 (psi gas) |
| SFAT-50003-FFS-600 | 49 | 32 | 545 | 5000 | 3"-2500 RF ANSI | SFAT-486 | 500 (psi gas) |
| SFAT-50004-FFS-600 | 49 | 35 | 675 | 5000 | 4"-2500 RF ANSI | SFAT-486 | 500 (psi gas) |



★ Dimensions and weights are for reference only. Manufacturer tolerances may cause dimensions to vary slightly. Engineered drawings can be provided upon request.